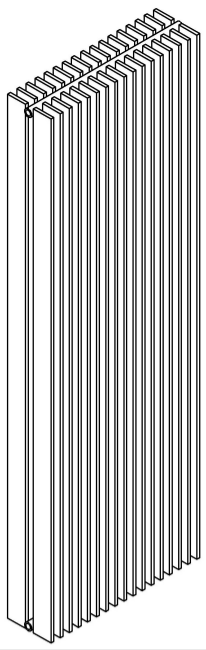


# ANTIKA DOUBLE

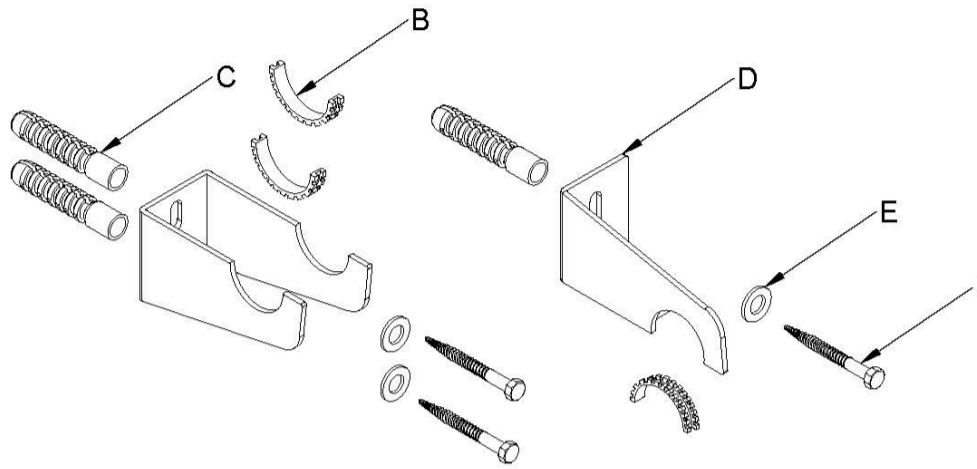


DAND18000300SM01-0110

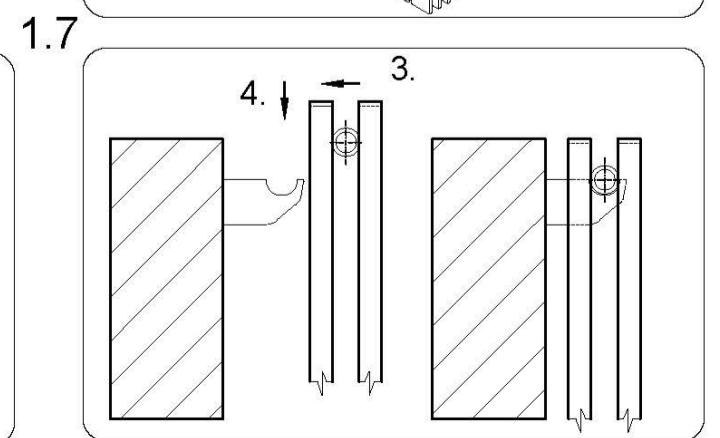
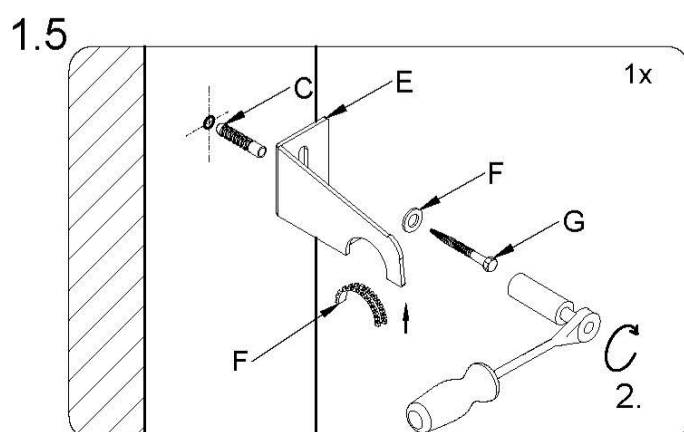
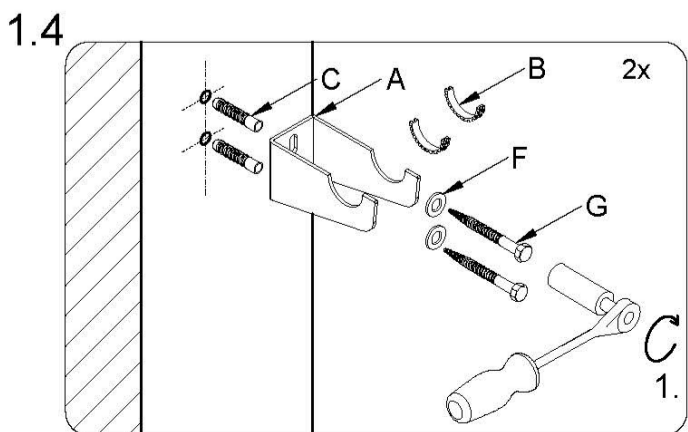
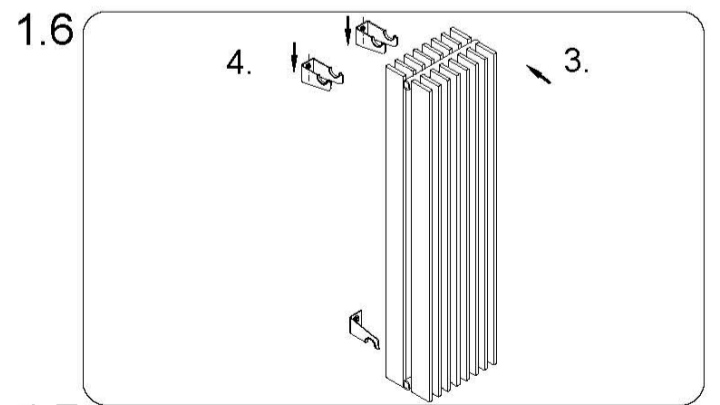
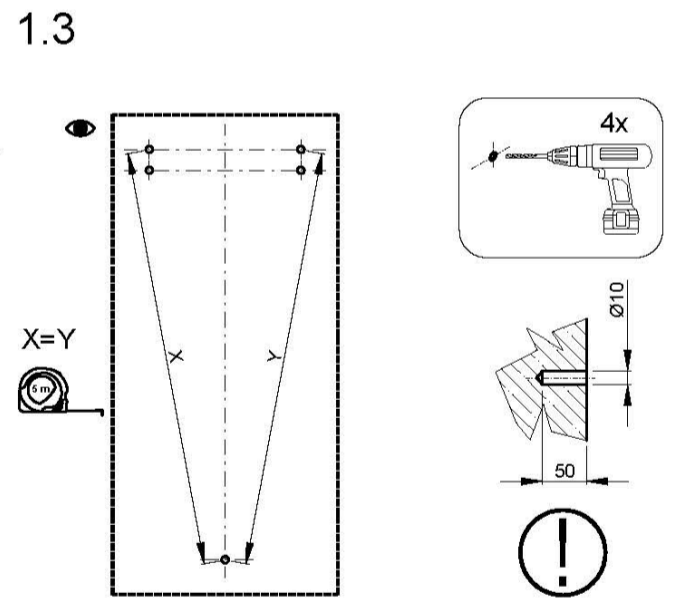
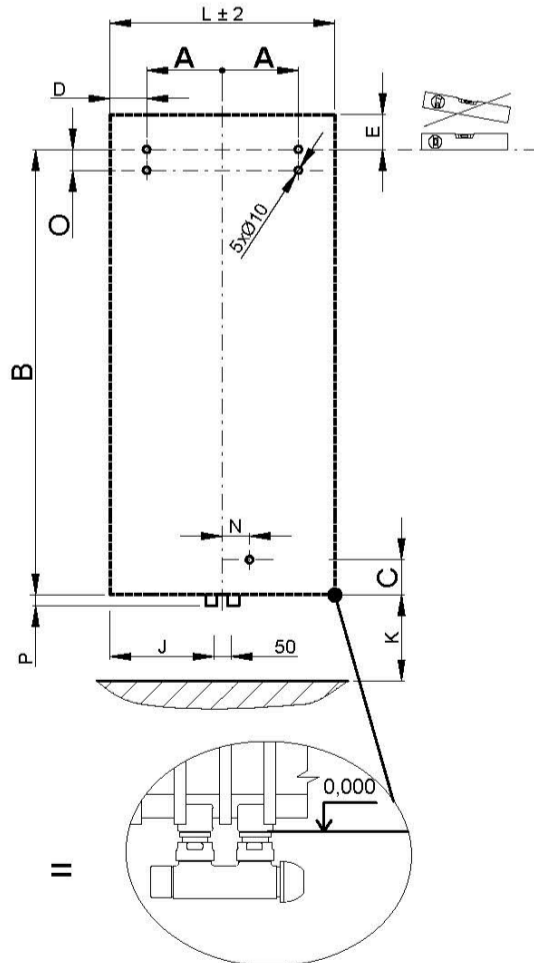
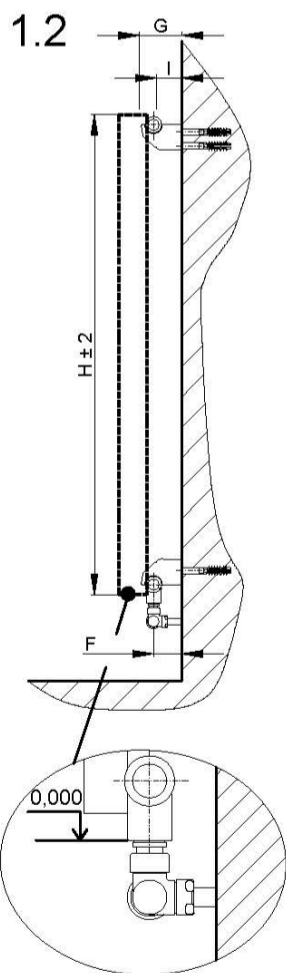
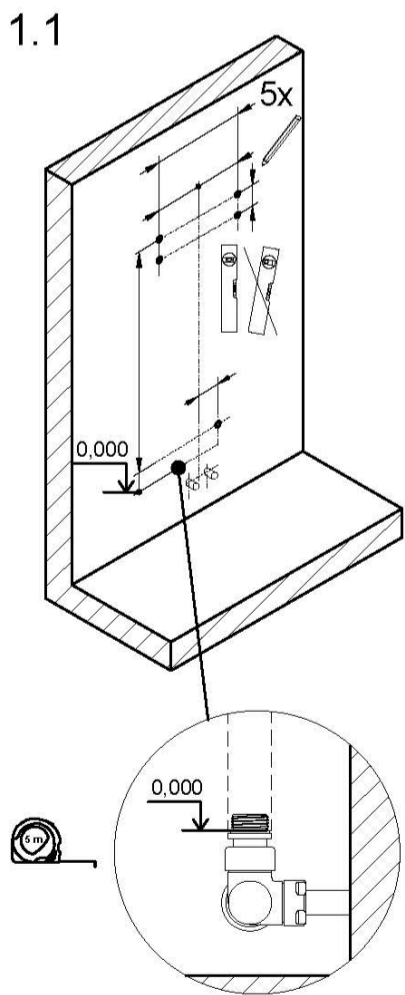
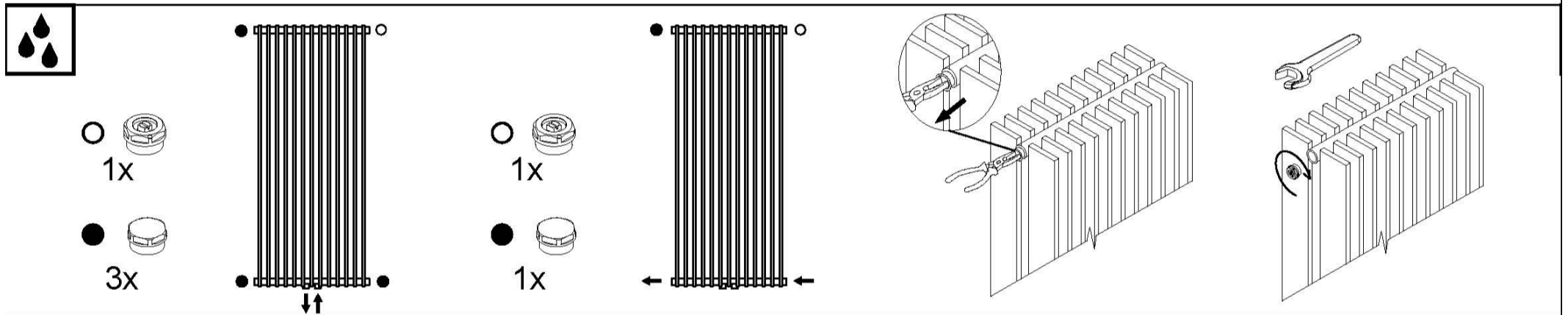
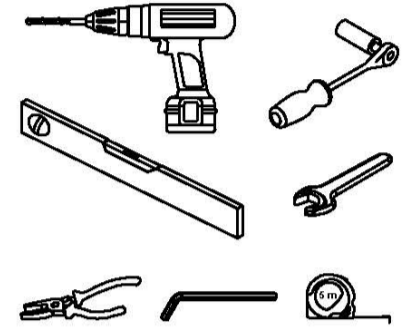


H	L	A	B	C	D	E	F	G
1800	300	102	1779	43	48	31	100	162
I	J	K	M	N	O	P		
34	125	min.100	50	19	25	10		

42.0	kg
9.7	l
1127	W



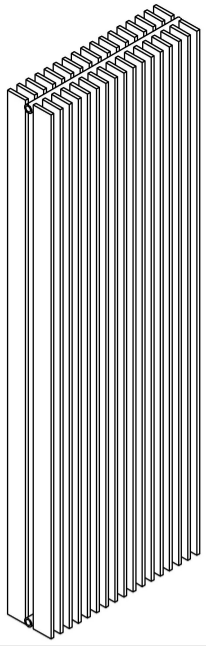
A 2x	B 5x	C 5x 10x100
E 1x	F 5x	G 5x M6x100



# ANTIKA DOUBLE

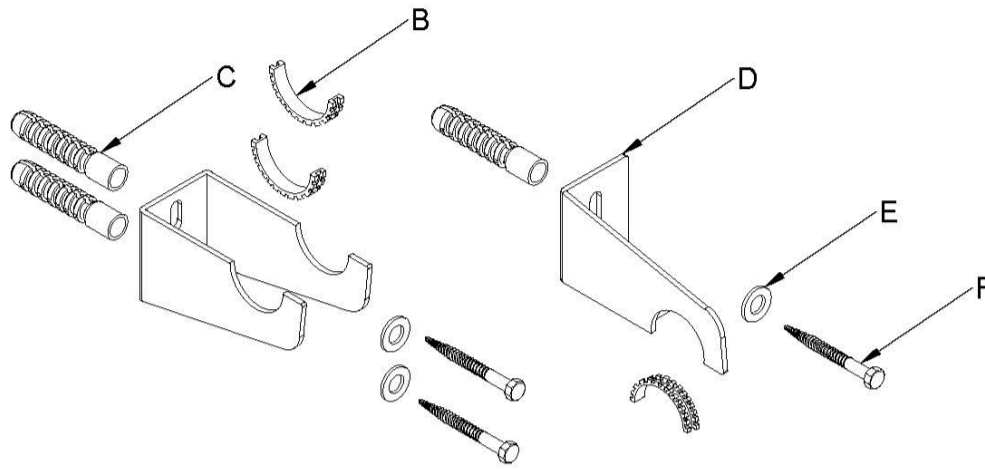


DAND18000480SM01-0101

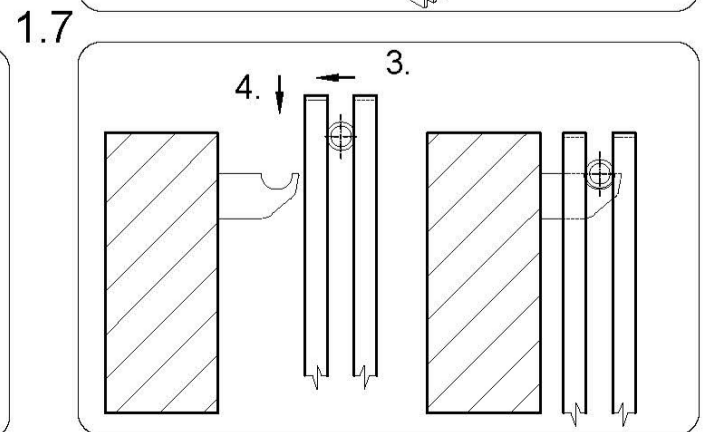
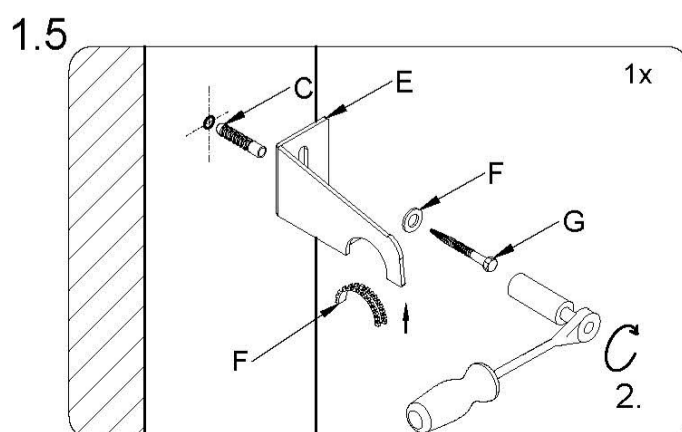
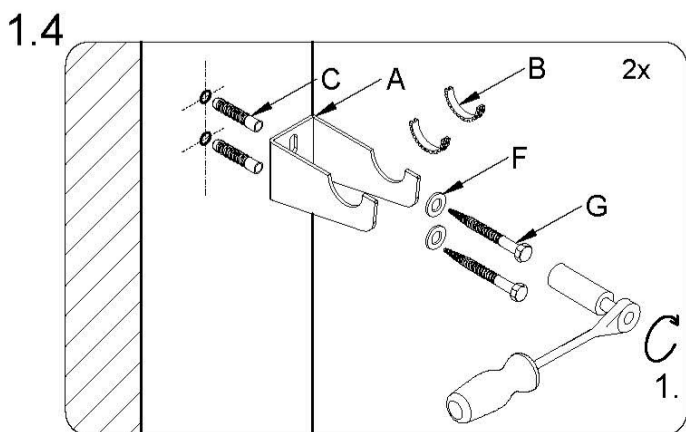
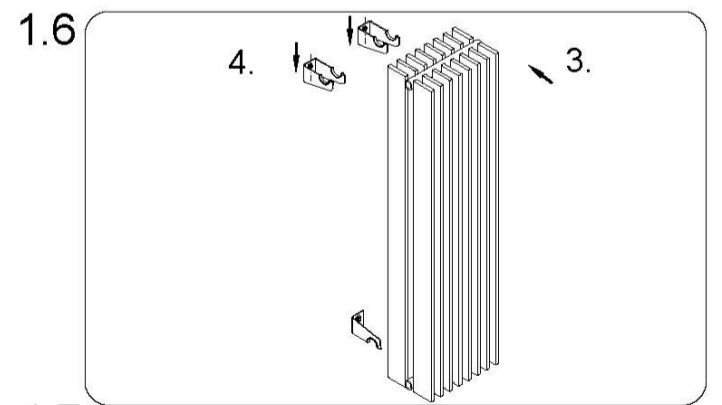
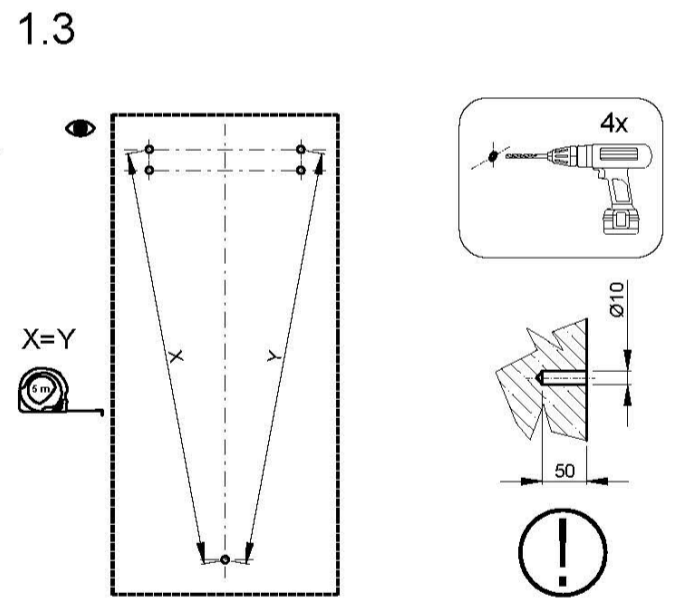
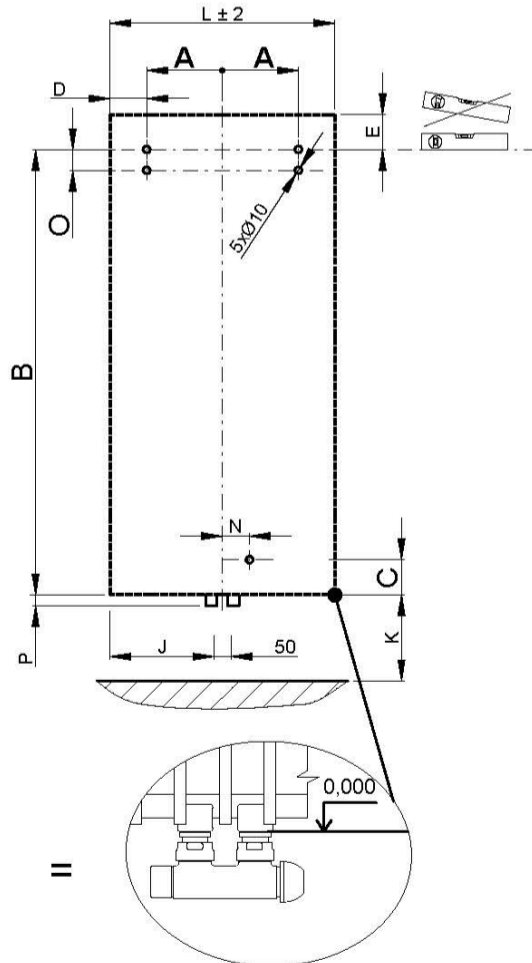
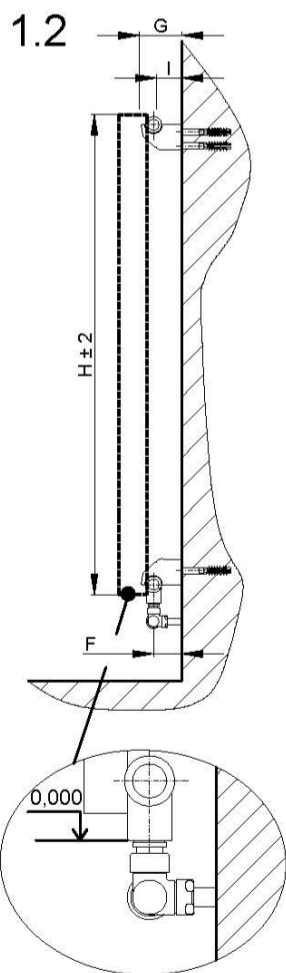
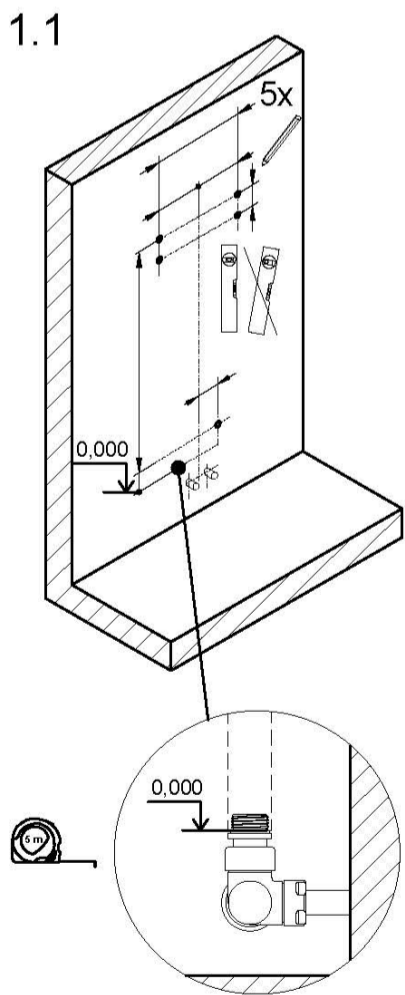
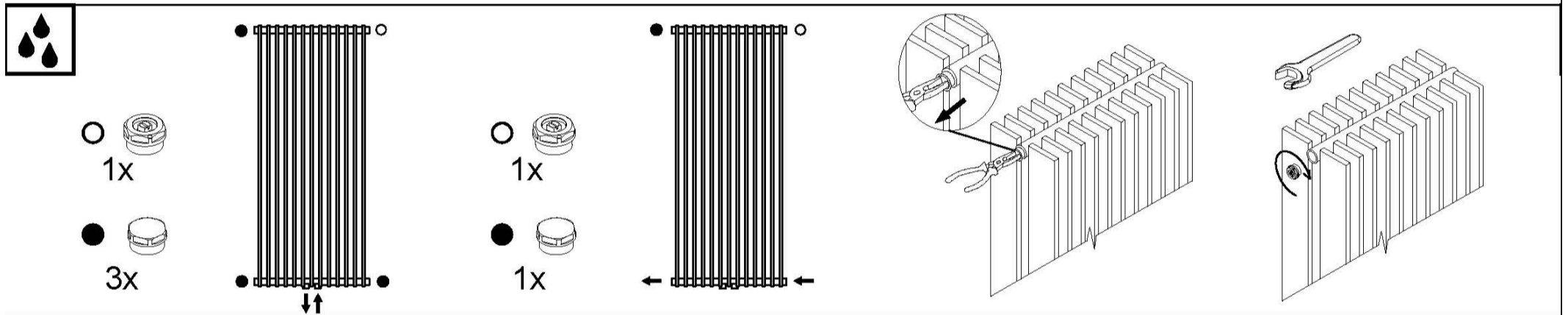
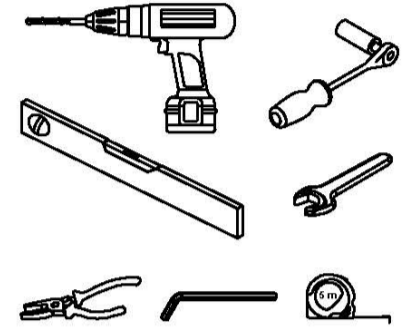


H	L	A	B	C	D	E	F	G
1800	480	192	1779	43	48	31	100	162
I	J	K	M	N	O	P		
34	215	min.100	50	00000	25	10		

67.8	kg
15.8	l
1793	W



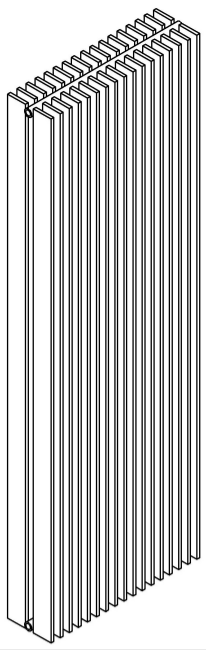
A 2x	B 5x	C 5x 10x100
E 1x	F 5x	G 5x M6x100



# ANTIKA DOUBLE

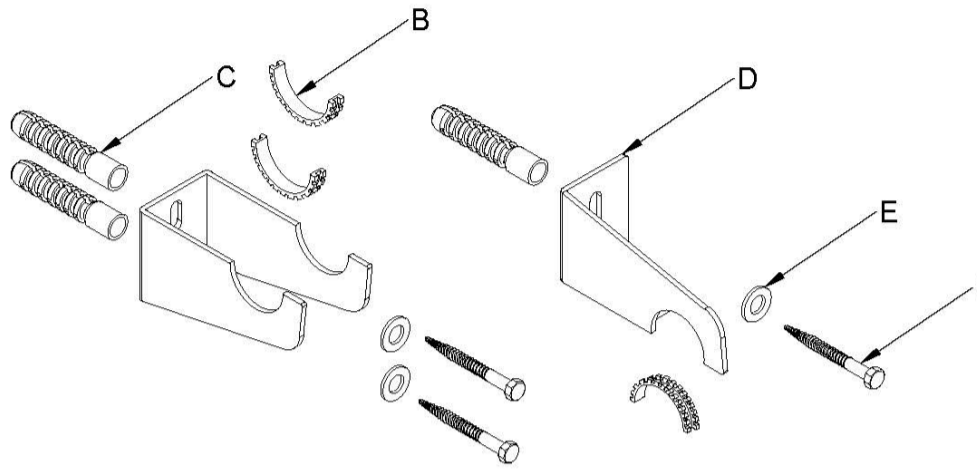


DAND18000600SM01-0110



H	L	A	B	C	D	E	F	G
1800	600	252	1779	43	48	31	100	162
I	J	K	M	N	O	P		
34	275	min.100	50	00000	25	10		

81.5	kg
20.7	l
2325	W



A 2x	B 5x	C 5x 10x100
E 1x	F 5x	G 5x M6x100

