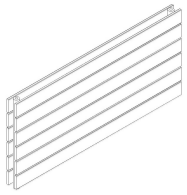


COLLOM DOUBLE HORIZONTAL

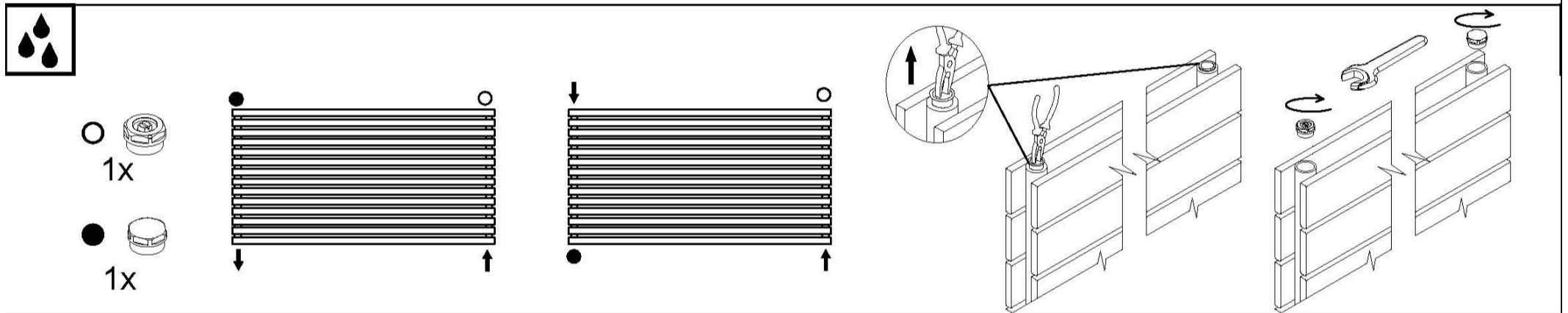
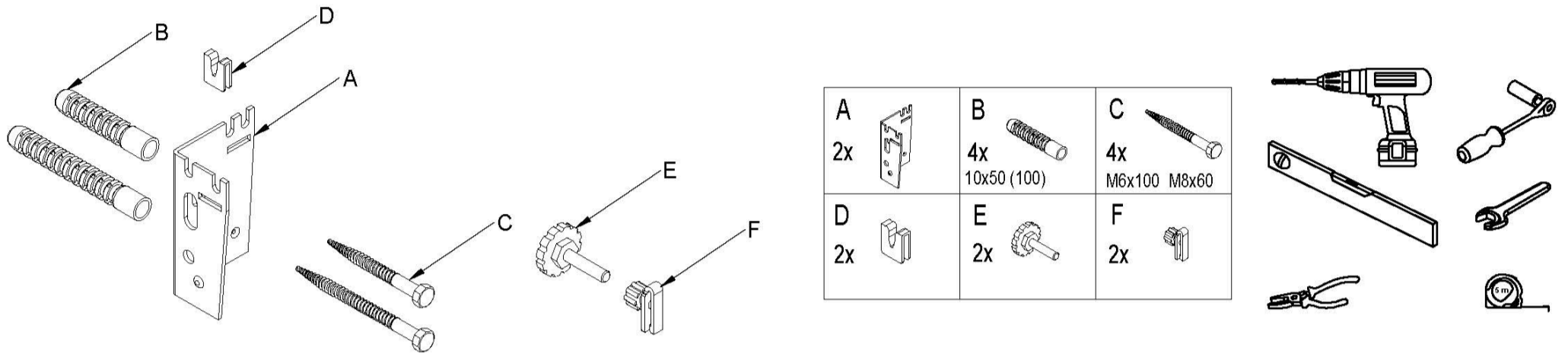


DCDH06021000SK01-0110

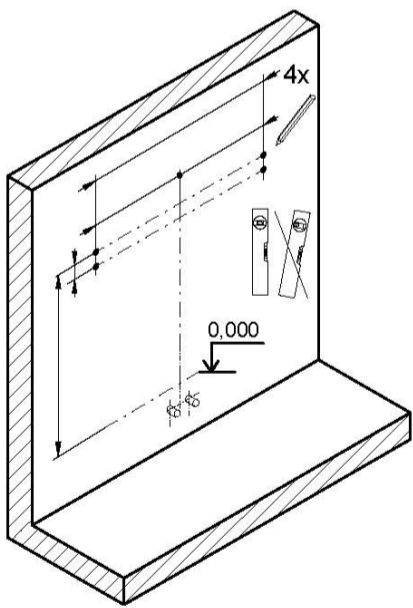


H	L	A	B	C	D	E	F	G
602	1000	370	542	-	130	60	65	90
I	J	K	M	N	O	P		
41	-	min.100	952	-	-	-		

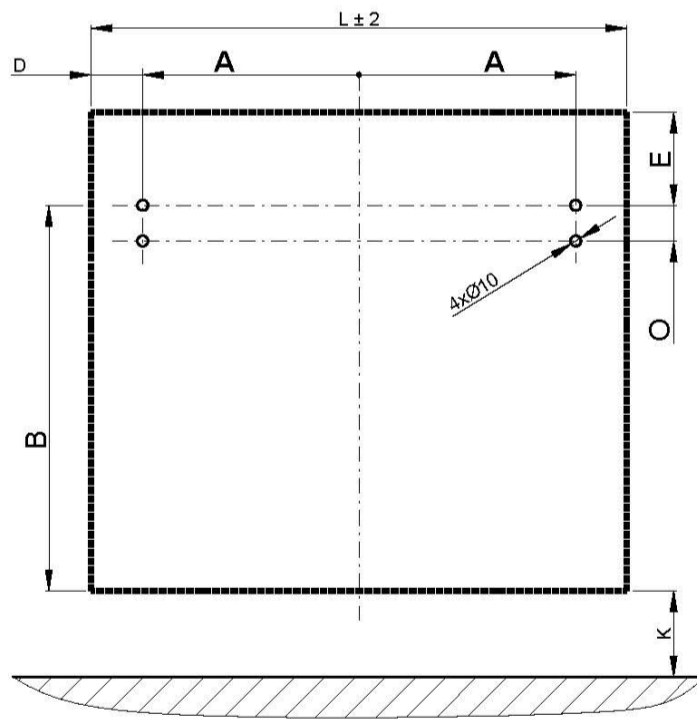
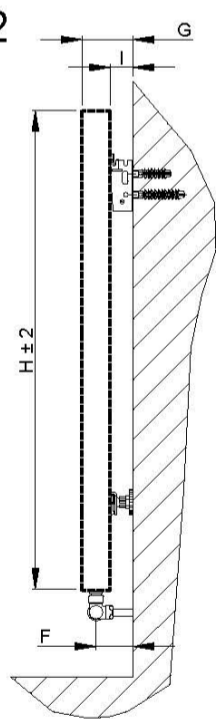
30.0	kg
9.1	l
921	W



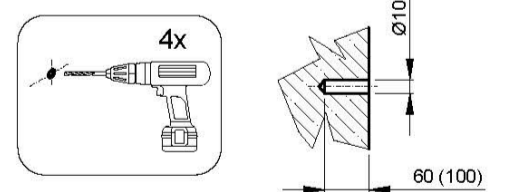
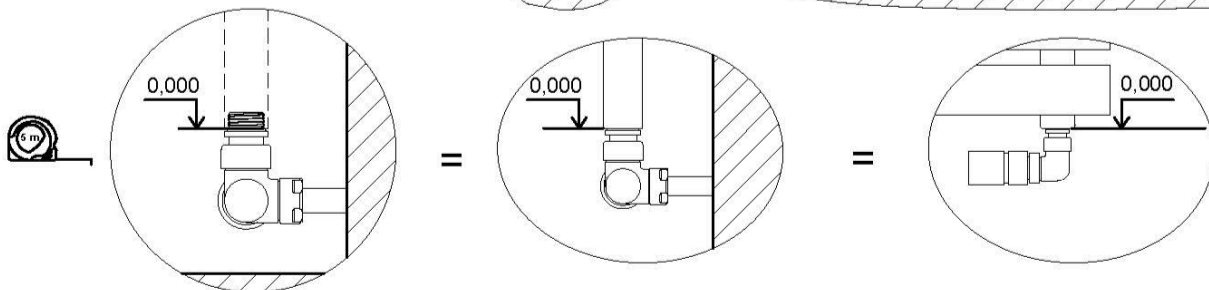
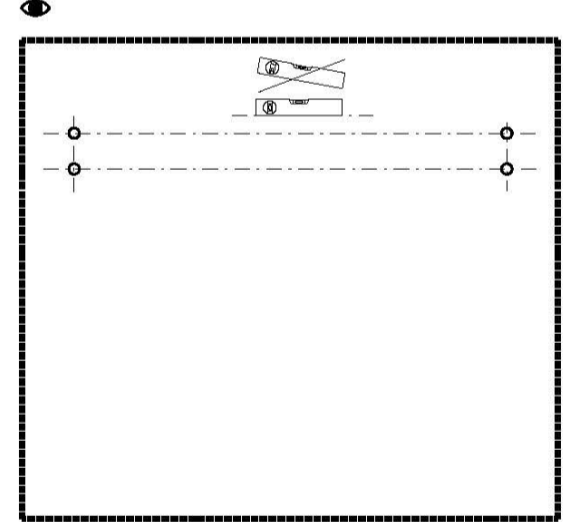
1.1



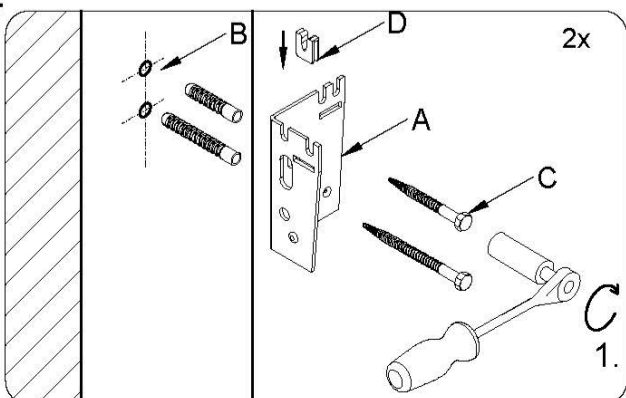
1.2



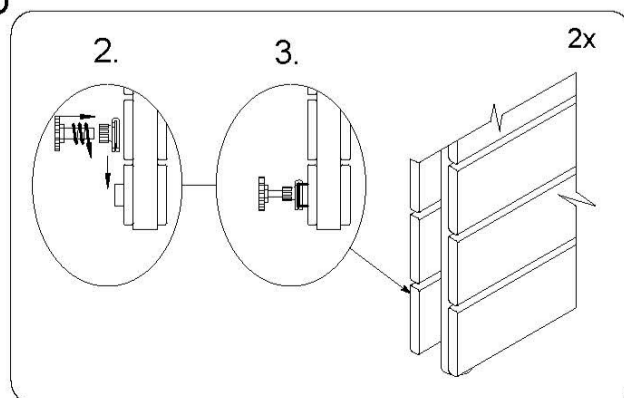
1.3



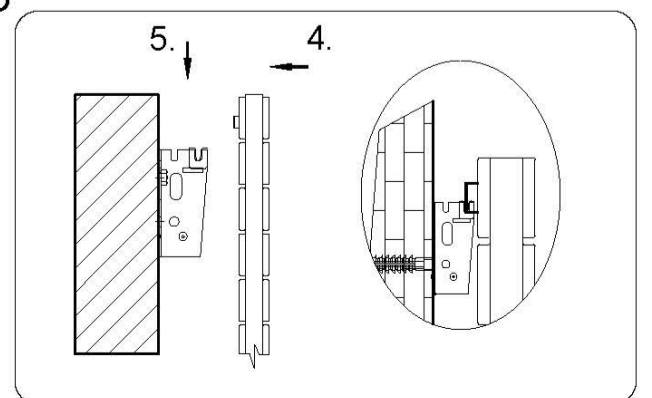
1.4



1.5



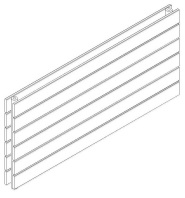
1.6



COLLOM DOUBLE HORIZONTAL

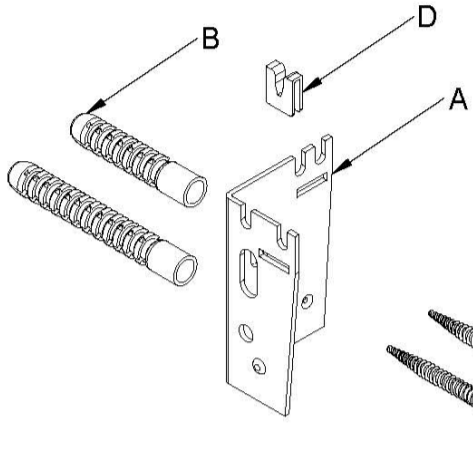


DCDH06021400SK01-0110

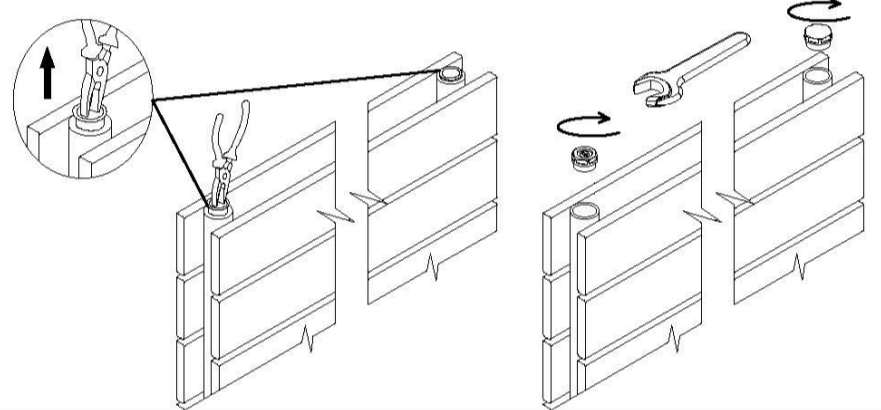
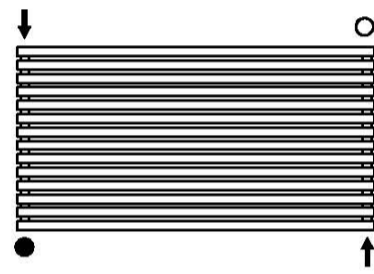
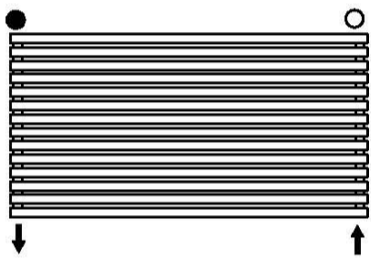
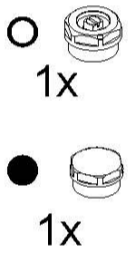
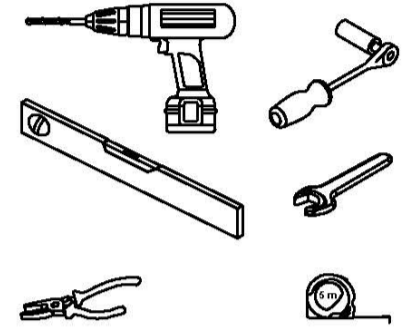


H	L	A	B	C	D	E	F	G
602	1400	570	542	-	130	60	65	90
I	J	K	M	N	O	P		
41	-	min.100	1352	-	-	-		

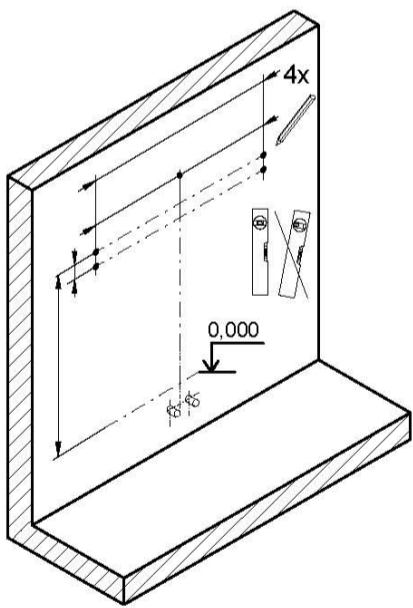
49.6	kg
12.5	l
1271	W



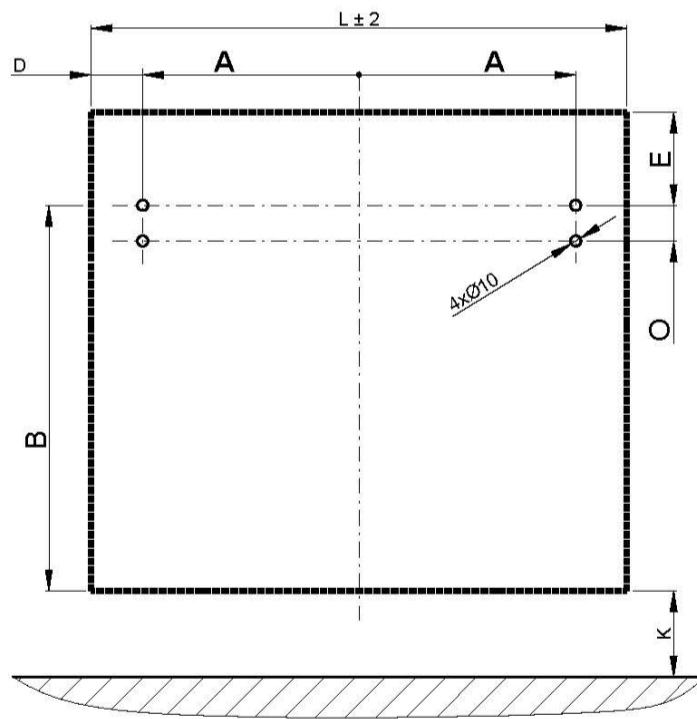
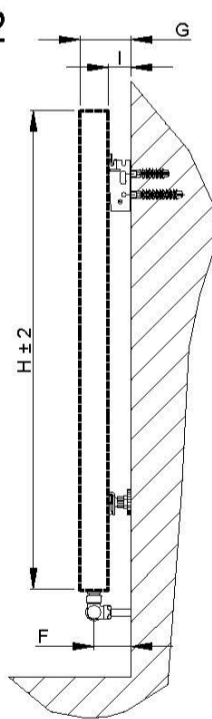
A	B	C
2x	4x 10x50 (100)	4x M6x100 M8x60
D	E	F
2x	2x	2x



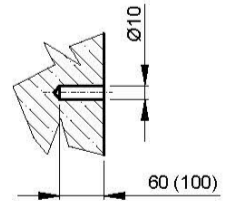
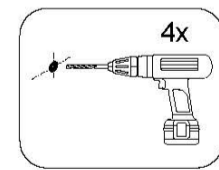
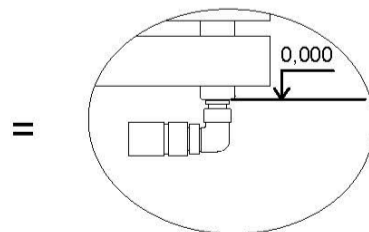
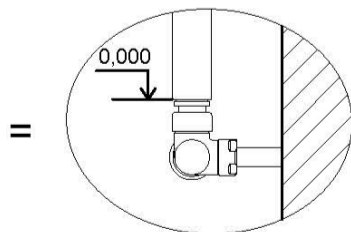
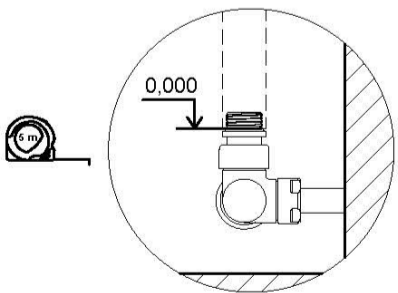
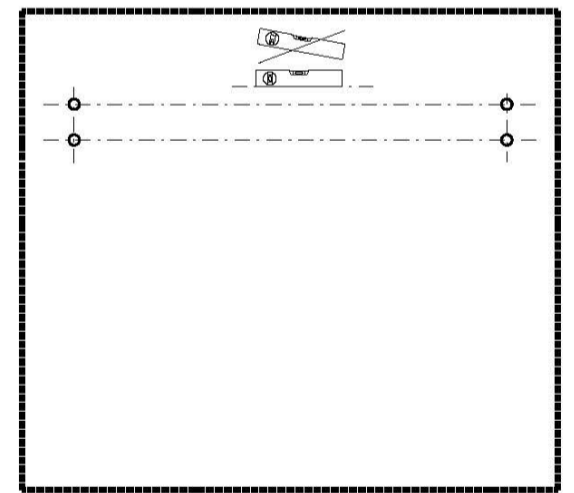
1.1



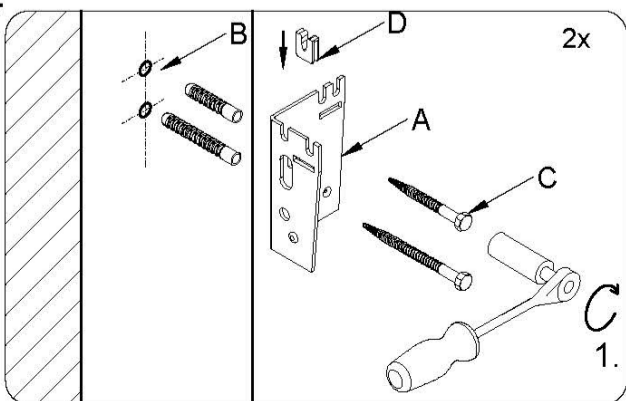
1.2



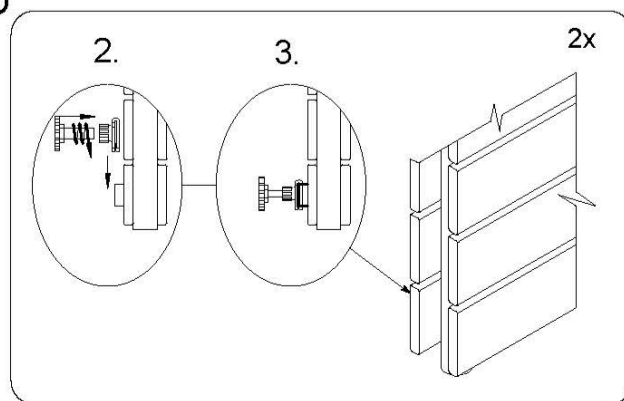
1.3



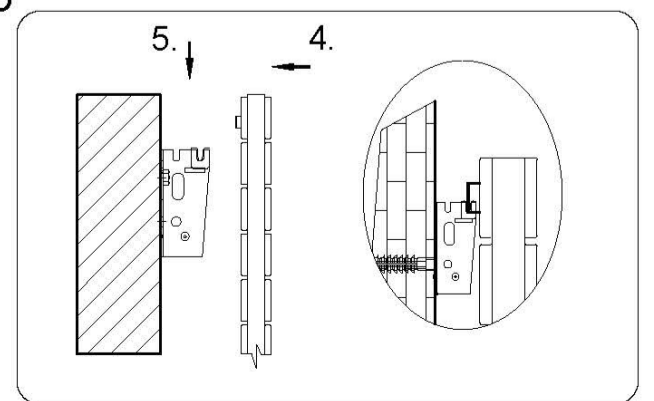
1.4



1.5



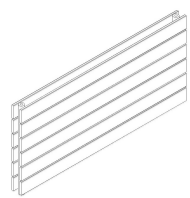
1.6



COLLOM DOUBLE HORIZONTAL

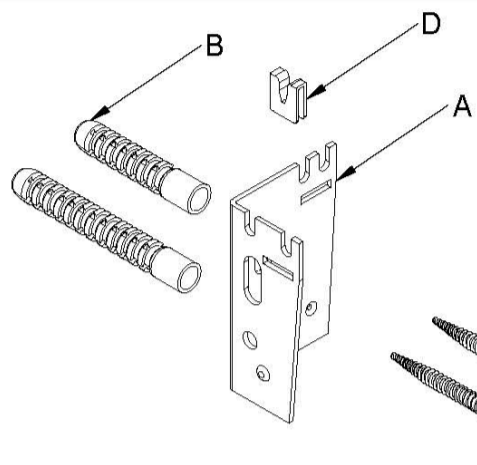


DCDH06021800SK01-0110

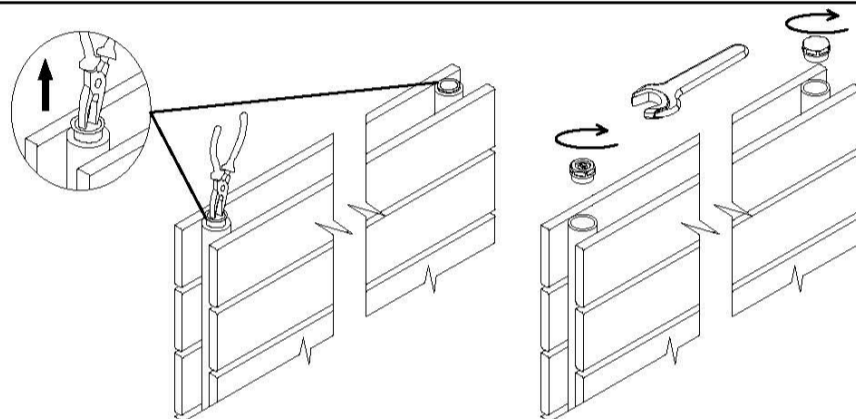
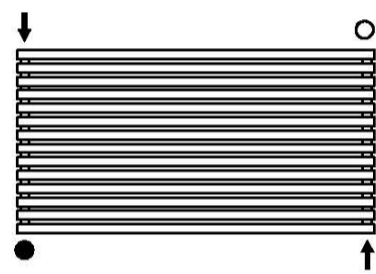
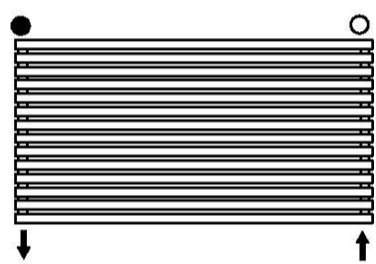
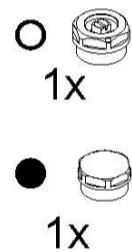
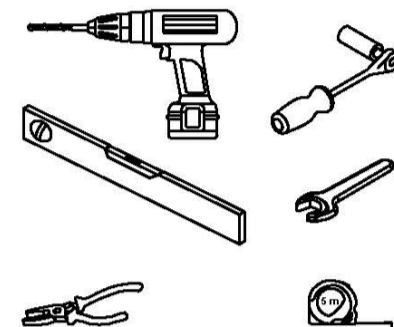


H	L	A	B	C	D	E	F	G
602	1800	770	542	-	130	60	65	90
I	J	K	M	N	O	P		
41	-	min.100	1752	-	-	-		

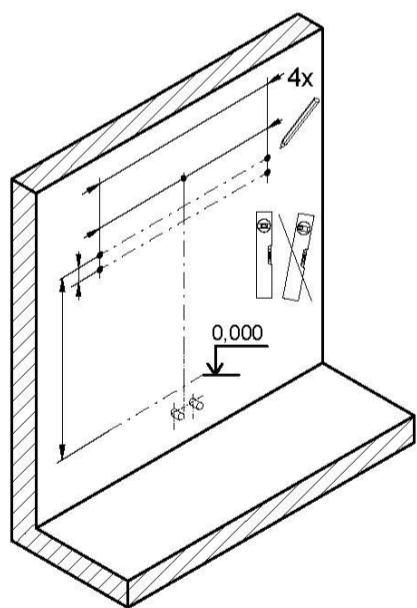
56.2	kg
15.9	l
1621	W



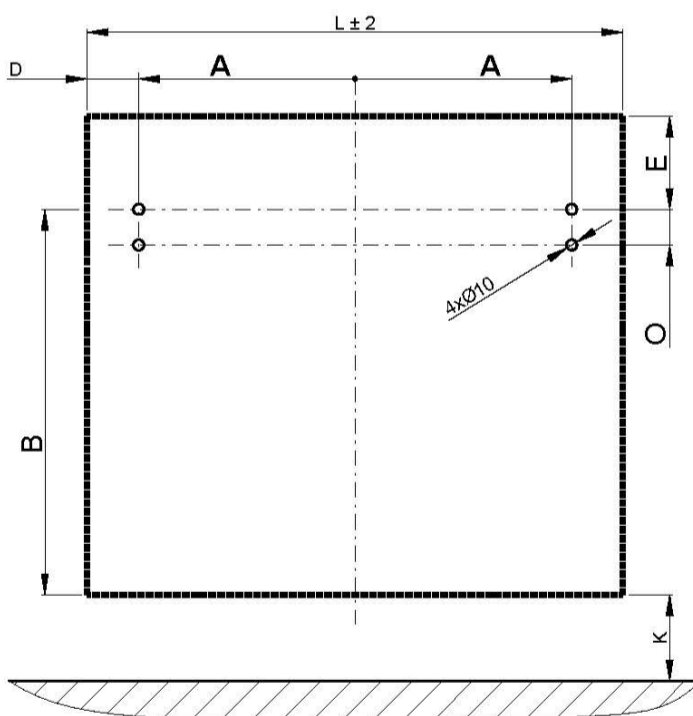
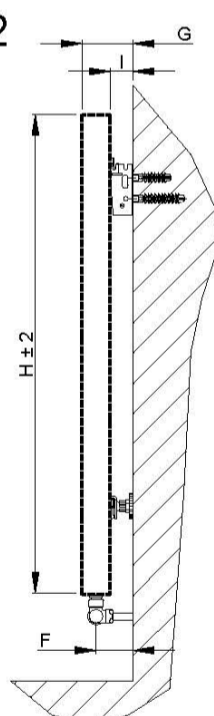
A 2x	B 4x 10x50 (100)	C 4x M6x100 M8x60
D 2x	E 2x	F 2x



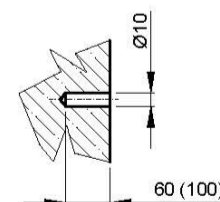
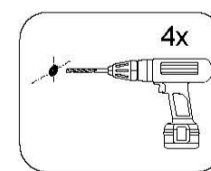
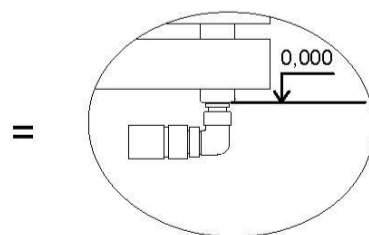
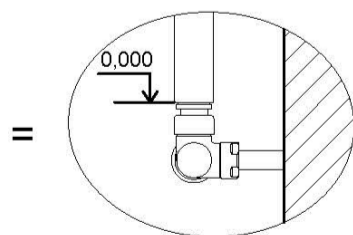
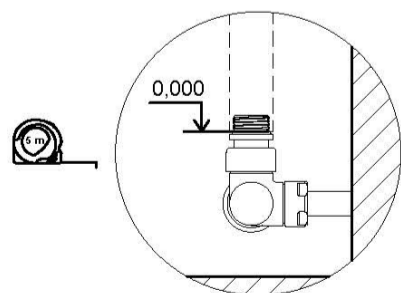
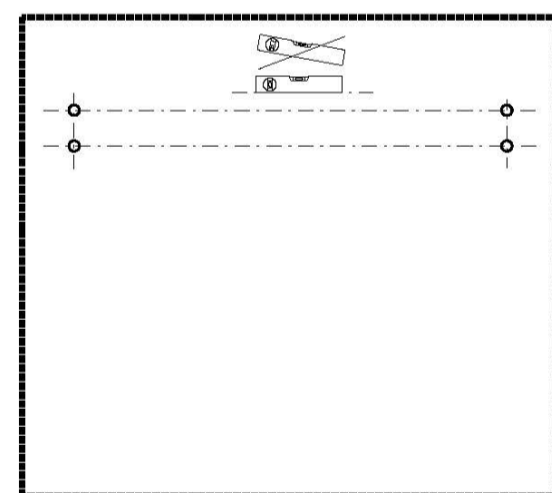
1.1



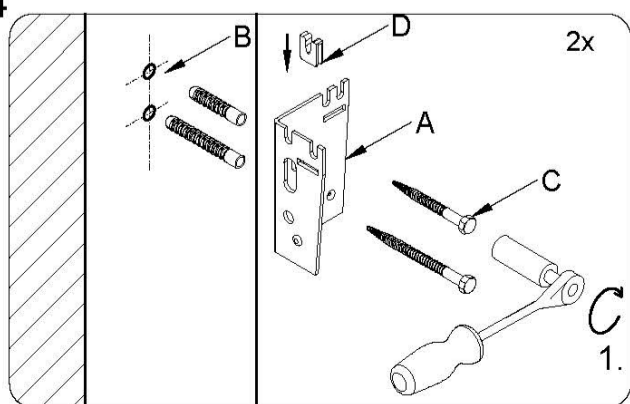
1.2



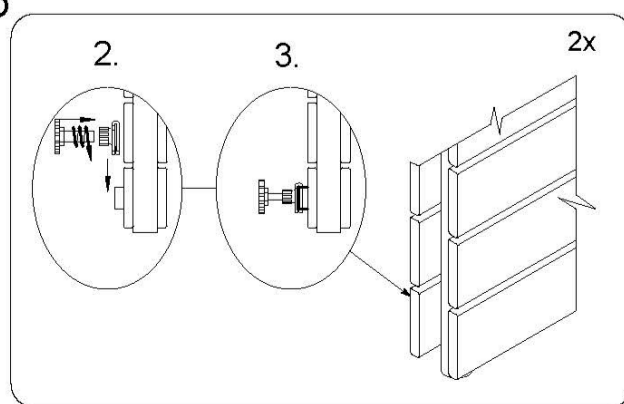
1.3



1.4



1.5



1.6

