



E-STELA

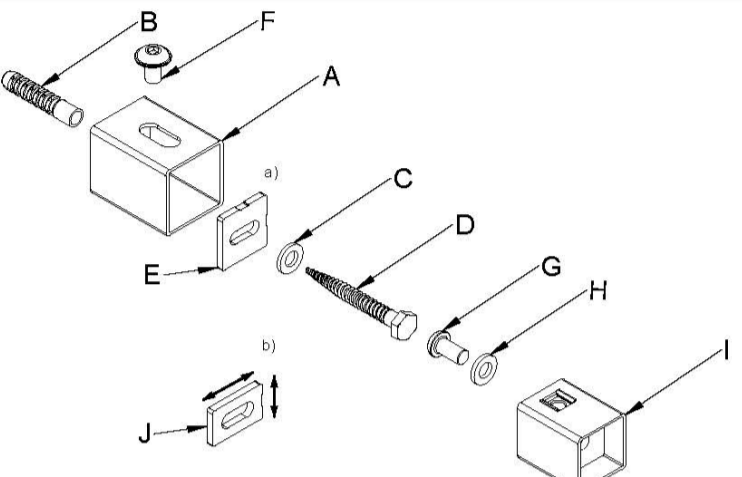


DESI17650456AK01-0110

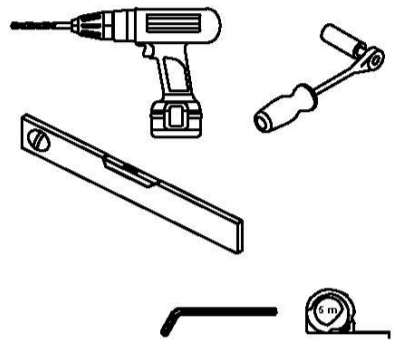


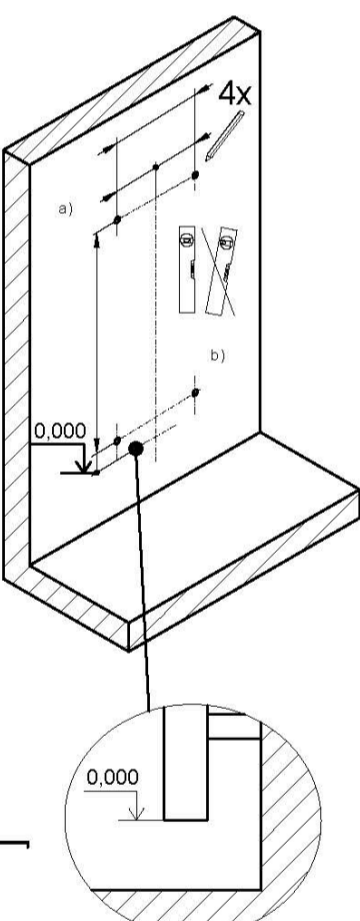
H	L	A	B	C	D	E	F	G
1765	456	112	1483	283	116	282	-	65-75
I	J	K	M	N	O	P		
40-50	-	min.150	0	-	-	-		

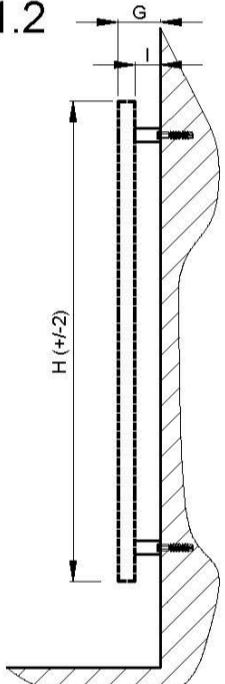
28.0	kg
0.0	I
	W

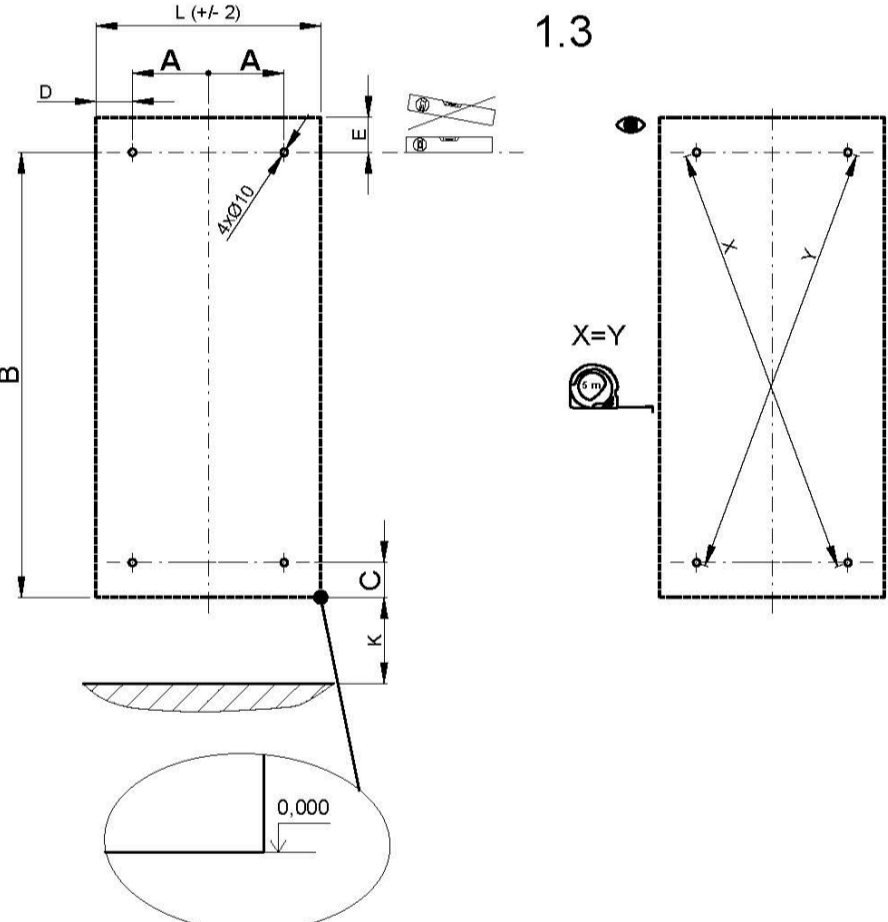


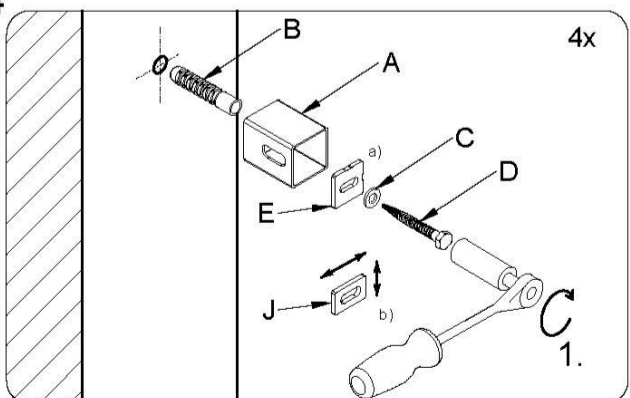
A 4x	B 4x 10x50	C 4x	D 4x M6x50	E 2x
F 4x	G 4x	H 4x	I 4x	J 2x

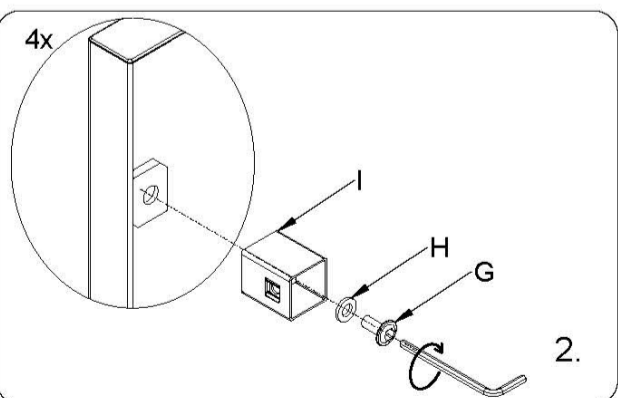


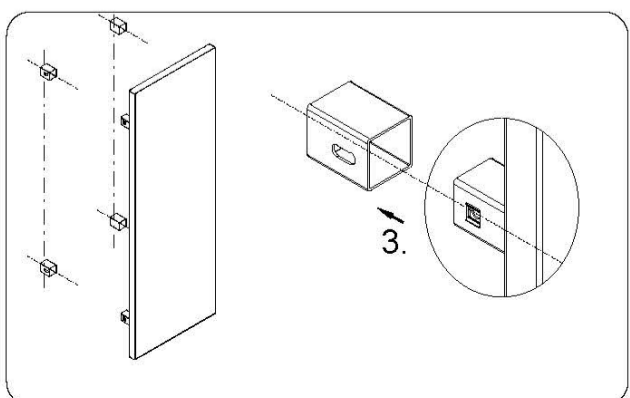
1.1 

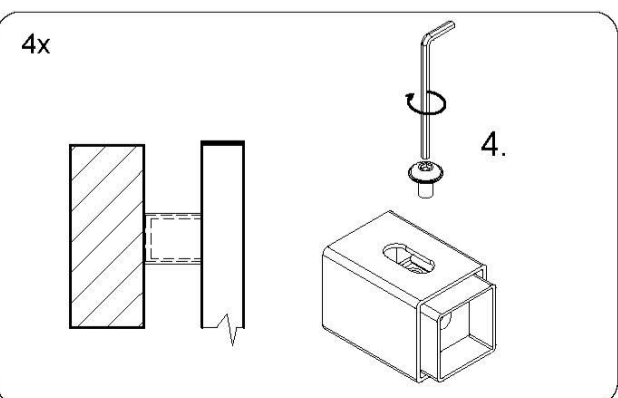
1.2 

1.3 

1.4 

1.5 

1.6 

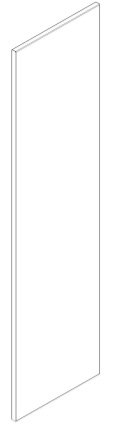
1.7 



E-STELA

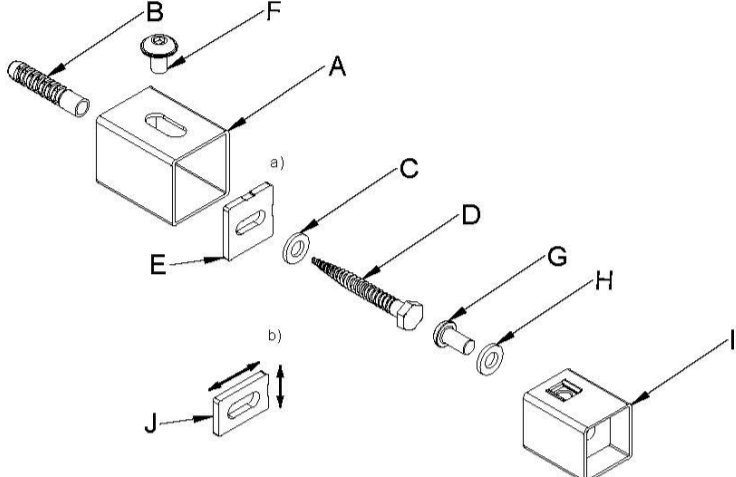


DESI17650606AK01-0110

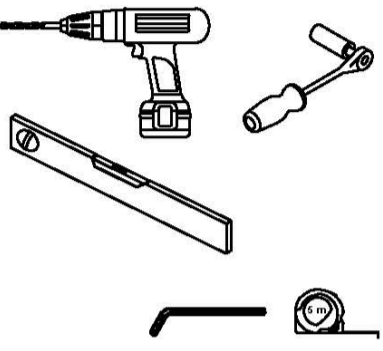


H	L	A	B	C	D	E	F	G
1765	606	183	1483	283	120	282	-	65-75
I	J	K	M	N	O	P		
40-50	-	min.150		-	-	-		

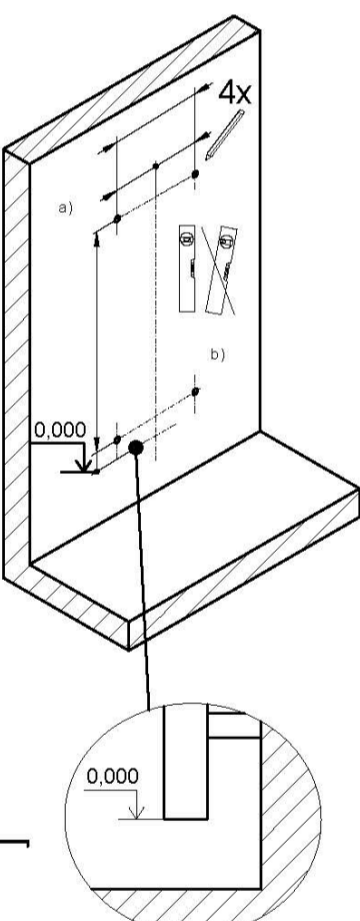
37.2	kg
0.0	l
	W



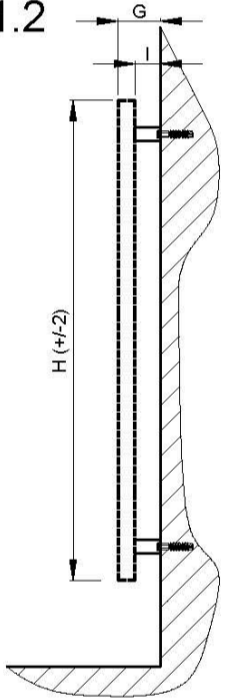
A 4x	B 4x 10x50	C 4x	D 4x M6x50	E 2x
F 4x	G 4x	H 4x	I 4x	J 2x



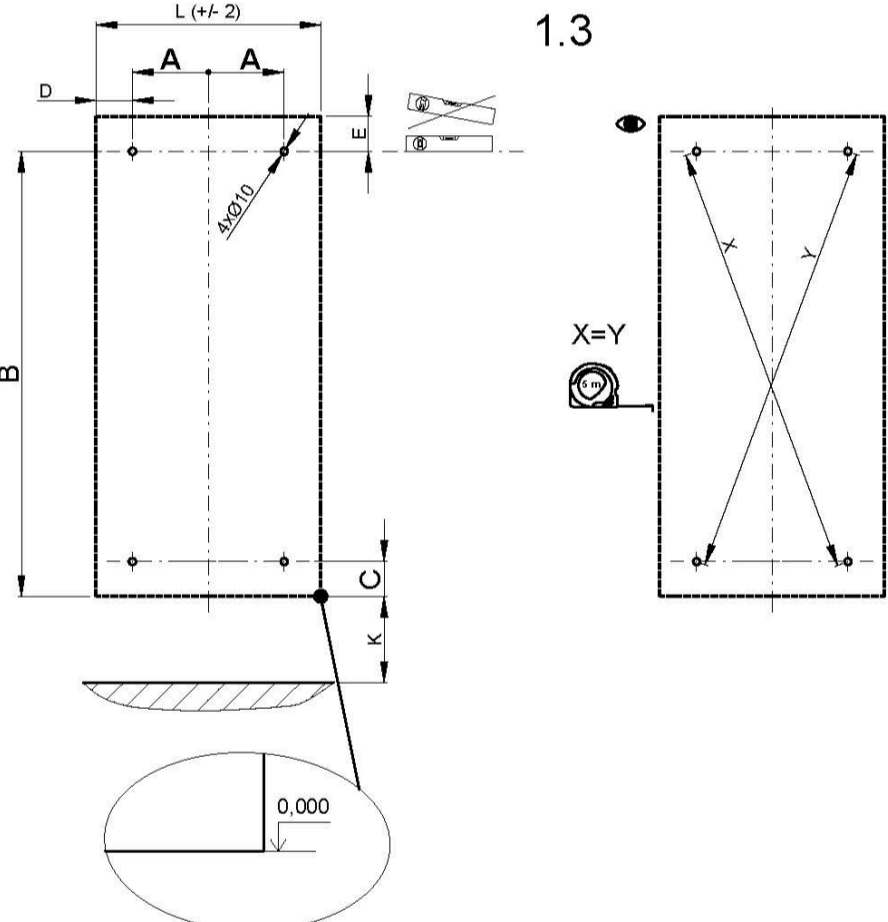
1.1



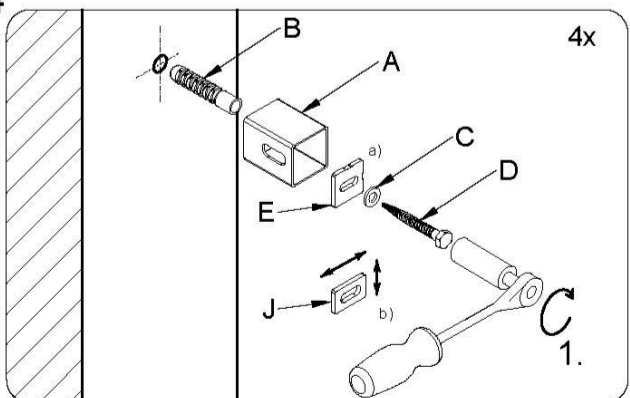
1.2



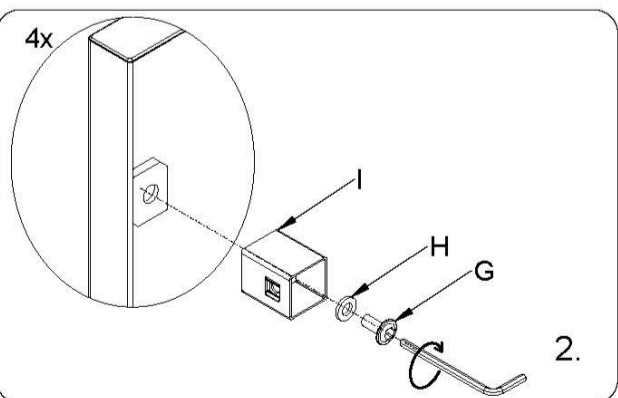
1.3



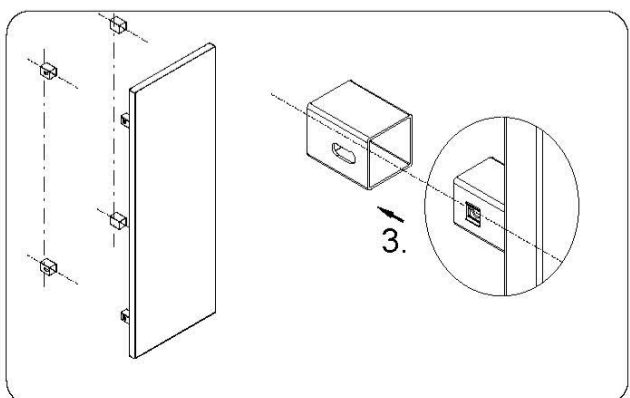
1.4



1.5



1.6



1.7

