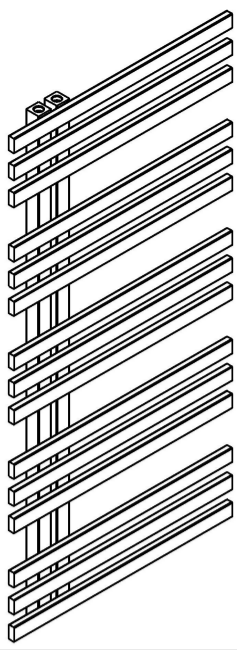


# ECHO



DECC09550500SK01-0110



H	L	A	B	C	D	E	F	G
955	500	25	865	90	100	90	57,5-67,5	90-100
I	J	K	M	N	O	P		
40-50	-	min.100	50	-	-	-		

11.4	kg
4.2	l
393	W



<b>A</b> 4x 10x50	<b>B</b> 2x	<b>C</b> 4x	<b>D</b> 4x M6x60
<b>E</b> 4x M6x10	<b>F</b> 4x M6x12	<b>G</b> 4x D18	<b>H</b> 4x D12

2x  
 2x

**1.1**

**1.2**

**1.3**

**1.4**

**1.5**

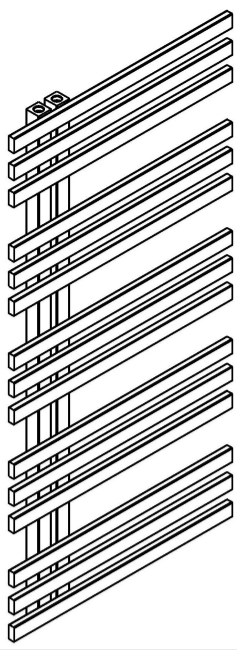
**1.6**

**1.7**

# ECHO



DECC12150500SK01-0110



H	L	A	B	C	D	E	F	G
1215	500	25	1125	90	100	90	57,5-67,5	90-100
I	J	K	M	N	O	P		
40-50	-	min.100	50	-	-	-		

14.3	kg
5.3	l
494	W



<b>A</b> 4x 10x50	<b>B</b> 2x	<b>C</b> 4x	<b>D</b> 4x M6x60
<b>E</b> 4x M6x10	<b>F</b> 4x M6x12	<b>G</b> 4x D18	<b>H</b> 4x D12

**1.1**

**1.2**

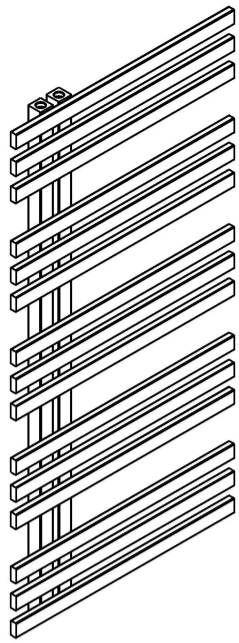
**1.3**

**1.4**

**1.5**

**1.6**

**1.7**



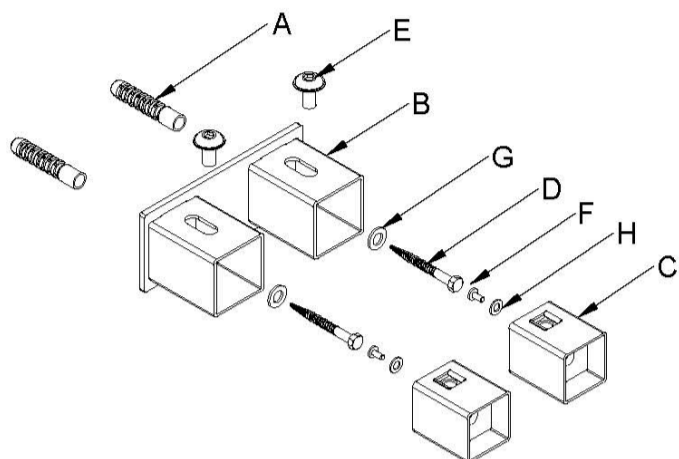
# ECHO



DECC17350500SK01-0110

H	L	A	B	C	D	E	F	G
1735	500	25	1645	90	100	90	57,5-67,5	90-100
I	J	K	M	N	O	P		
40-50	-	min.100	50	-	-	-		

20.2	kg
7.5	l
696	W



<b>A</b> 4x 10x50	<b>B</b> 2x	<b>C</b> 4x	<b>D</b> 4x M6x60
<b>E</b> 4x M6x10	<b>F</b> 4x M6x12	<b>G</b> 4x D18	<b>H</b> 4x D12

