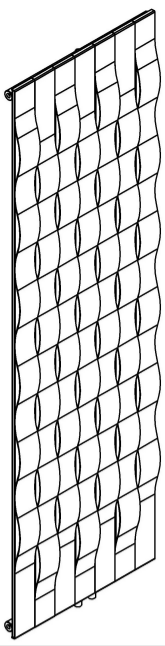


# NIAS

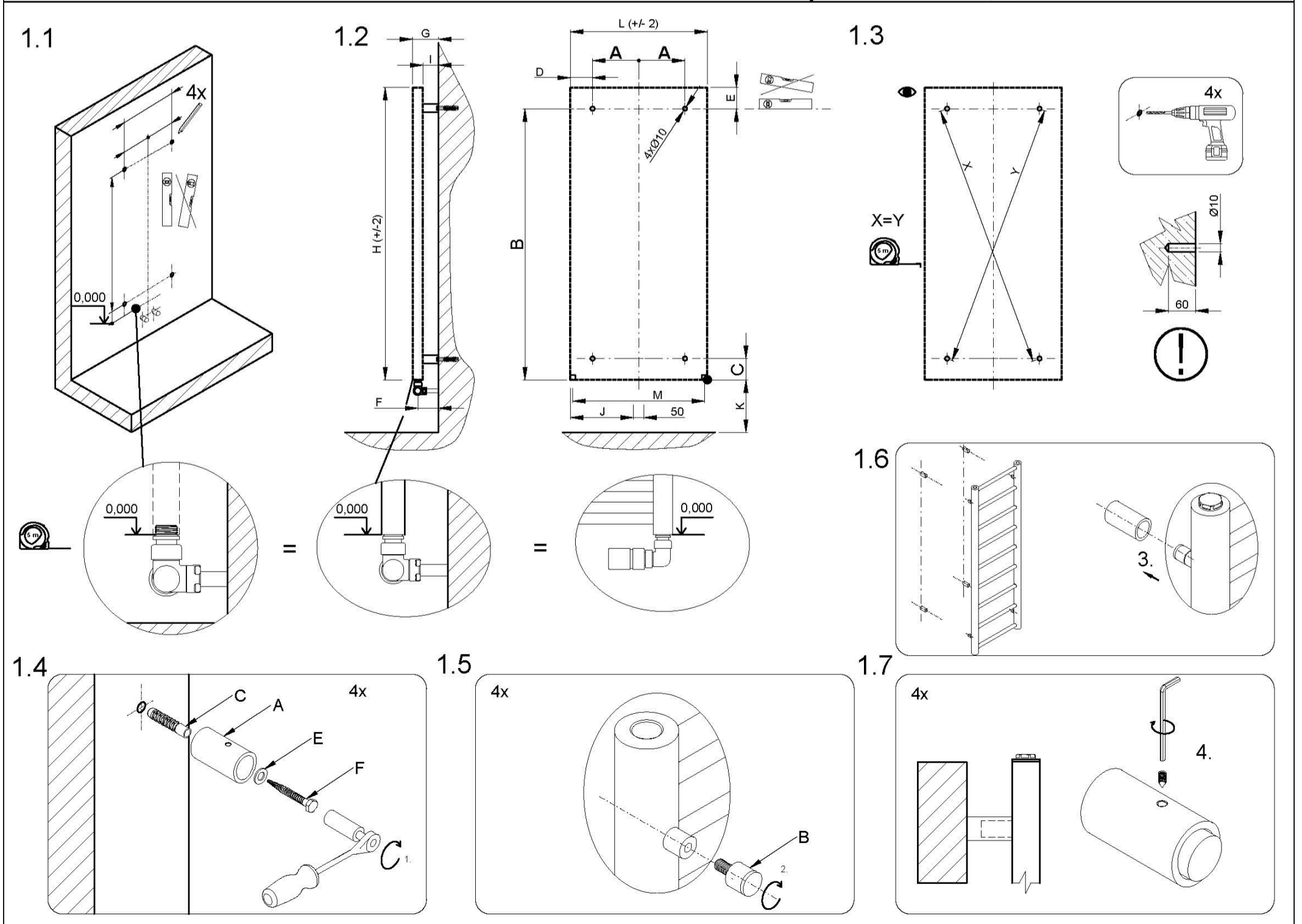
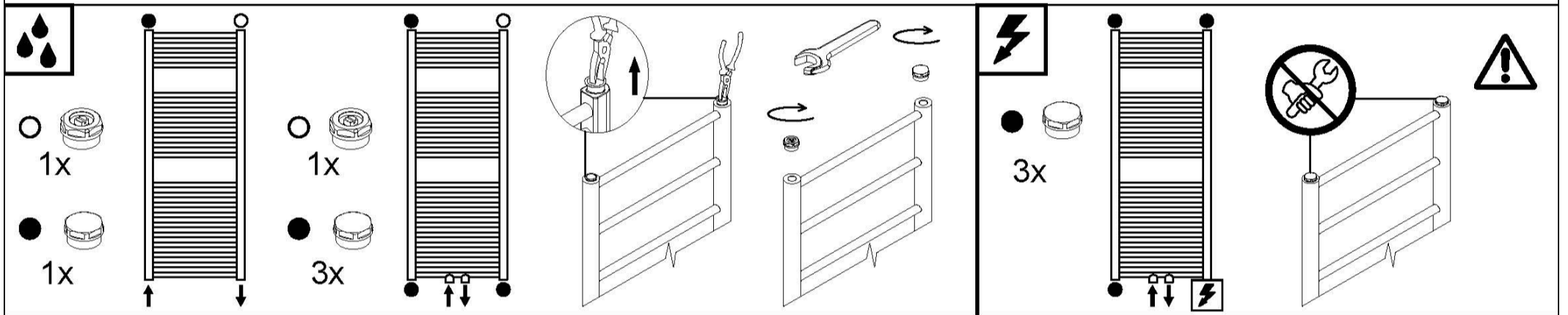
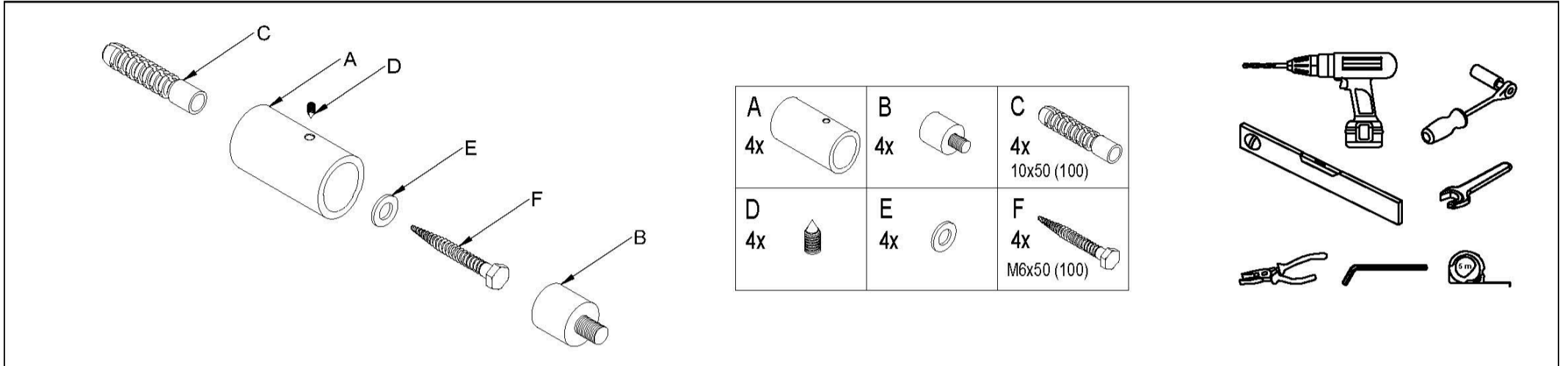


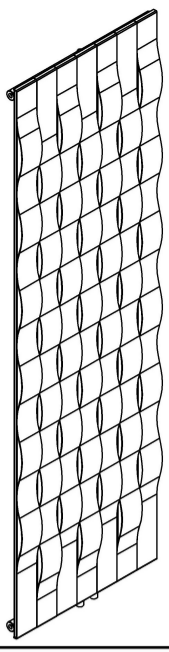
DNIA18060377SM68-0110



|       |       |         |      |    |     |    |       |         |
|-------|-------|---------|------|----|-----|----|-------|---------|
| H     | L     | A       | B    | C  | D   | E  | F     | G       |
| 1806  | 377   | 76.5    | 1781 | 25 | 112 | 25 | 54-64 | 100-110 |
| I     | J     | K       | M    | N  | O   | P  |       |         |
| 40-50 | 163.5 | min.100 | 50   | -  | -   | -  |       |         |

|      |    |
|------|----|
| 29.9 | kg |
| 5.1  | l  |
| 671  | W  |





# NIAS



DNIA18060528SM68-0110

|       |     |         |      |    |     |    |       |         |
|-------|-----|---------|------|----|-----|----|-------|---------|
| H     | L   | A       | B    | C  | D   | E  | F     | G       |
| 1806  | 528 | 152     | 1781 | 25 | 112 | 25 | 54-64 | 100-110 |
| I     | J   | K       | M    | N  | O   | P  |       |         |
| 40-50 | 239 | min.100 | 50   | -  | -   | -  |       |         |

|      |    |
|------|----|
| 41.9 | kg |
| 7.2  | l  |
| 934  | W  |



|                |                |                               |
|----------------|----------------|-------------------------------|
| <b>A</b><br>4x | <b>B</b><br>4x | <b>C</b><br>4x<br>10x50 (100) |
| <b>D</b><br>4x | <b>E</b><br>4x | <b>F</b><br>4x<br>M6x50 (100) |

**1.1**

**1.2**

**1.3**

**1.4**

**1.5**

**1.7**

**1.6**

