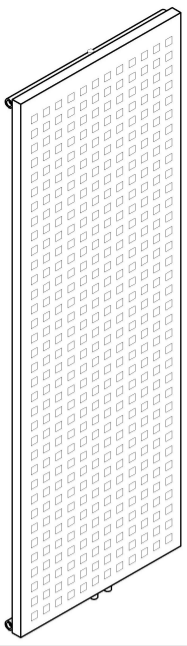


# SOLAR

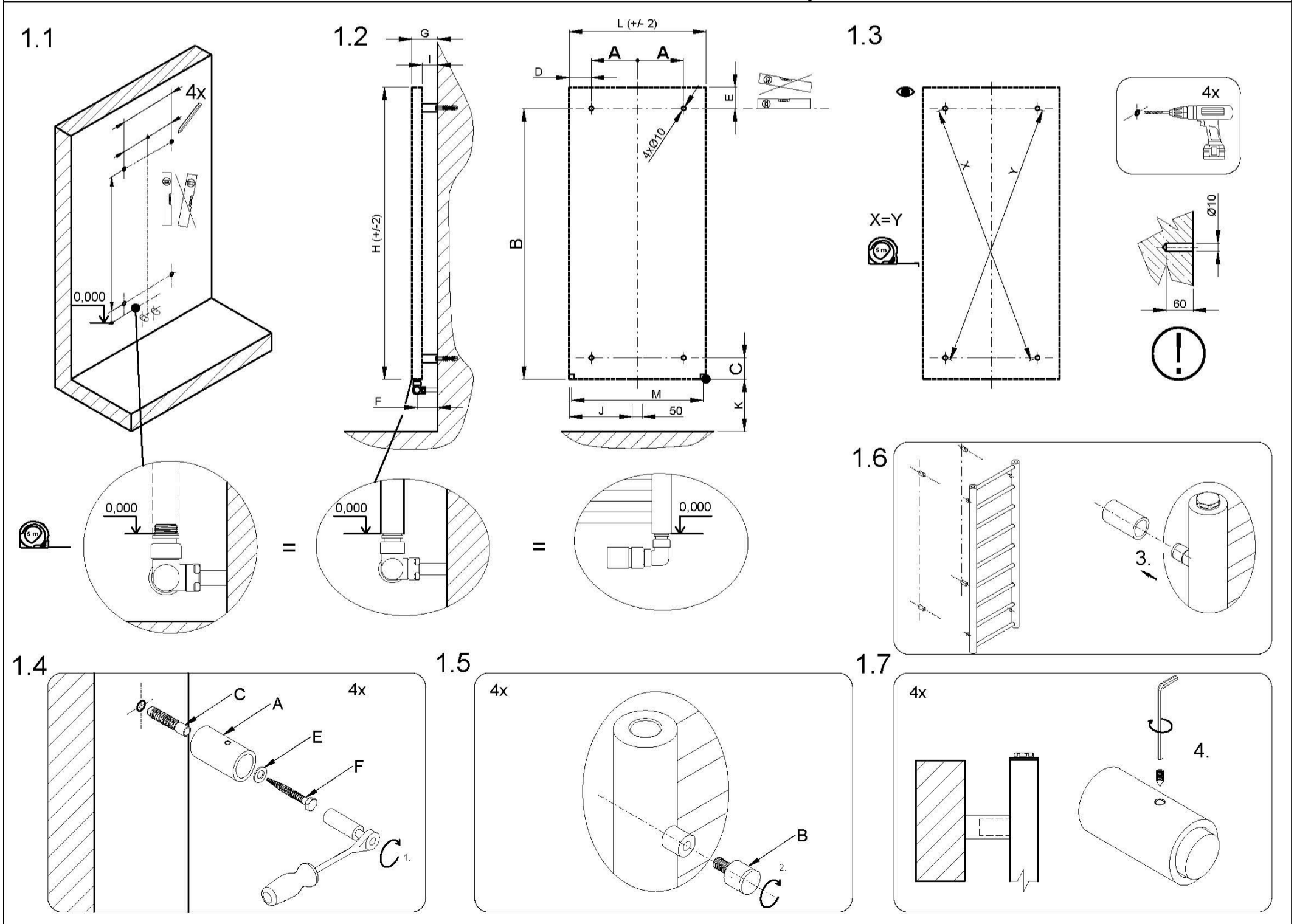
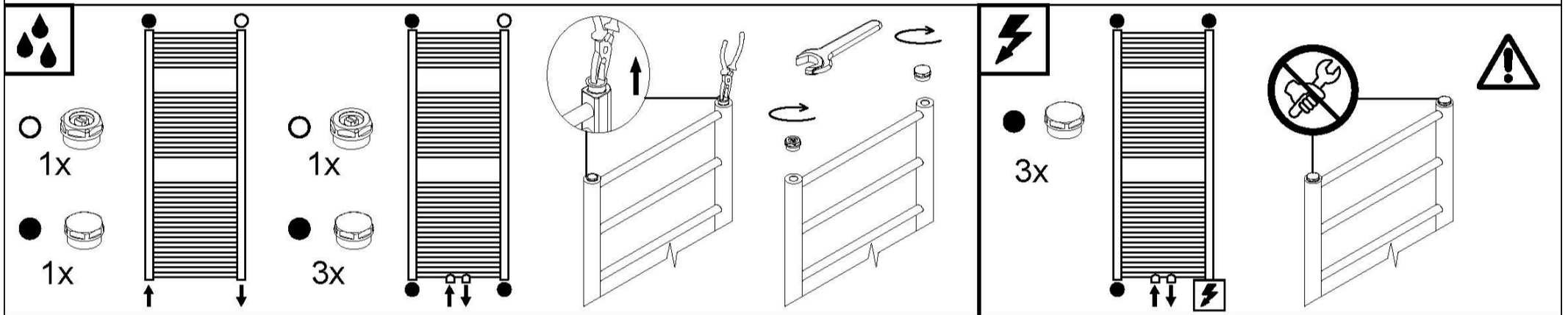
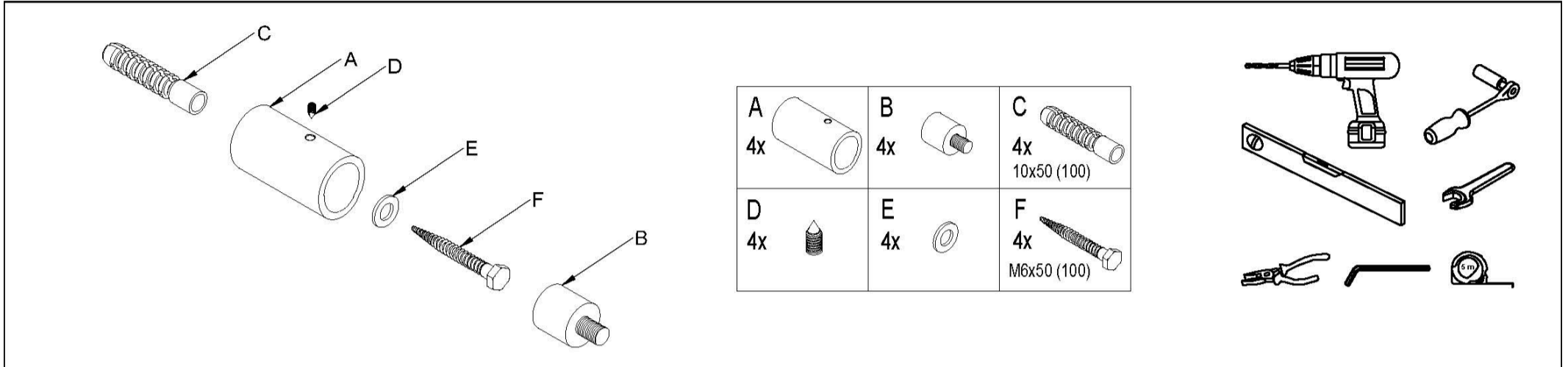


DSOL12060288SM01-0101



H	L	A	B	C	D	E	F	G
1206	288	64.5	1196.5	20.5	79.5	20.5	54-64	99-109
I	J	K	M	N	O	P		
40-50	119	min.100	50	-	-	11		

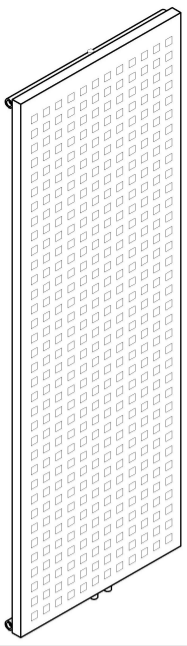
21.4	kg
4.6	l
377	W



# SOLAR



DSOL12060477SM01-0101



H	L	A	B	C	D	E	F	G
1206	477	159	1196.5	20.5	79.5	20.5	54-64	99-109
I	J	K	M	N	O	P		
40-50	213.5	min.100	50	-	-	11		

24.5	kg
7.4	l
607	W



A	B	C
4x	4x	4x
		10x50 (100)
D	E	F
4x	4x	4x
		M6x50 (100)

**Waterproofing:** Shows the application of waterproofing tape to the panel edges. It includes diagrams for the top and bottom edges, with callouts for 1x and 3x applications of tape. A warning icon of a water drop is present.

**Electrical Connection:** Shows the connection of the solar panel to a power source. It includes a warning icon of a lightning bolt and a prohibition sign over a wrench, indicating that electrical work should be done before mechanical assembly.

**1.1**

**1.2**

**1.3**

**1.4**

**1.5**

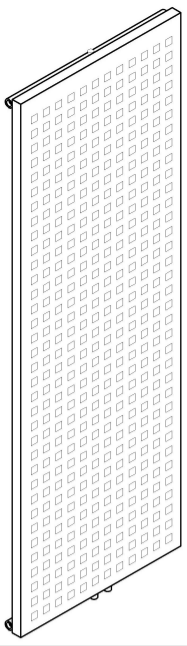
**1.6**

**1.7**

# SOLAR



DSOL12060603SM01-0101



H	L	A	B	C	D	E	F	G
1206	603	222	1196.5	20.5	79.5	20.5	54-64	99-109
I	J	K	M	N	O	P		
40-50	276.5	min.100	50	-	-	11		

31.1	kg
9.2	l
757	W



A	B	C
4x	4x	4x
		10x50 (100)
D	E	F
4x	4x	4x
		M6x50 (100)

**Water Safety:** 1x (white cap), 1x (black cap), 3x (black cap). Diagrams show the correct placement of caps on the solar panel's electrical terminals.

**Electricity Safety:** 3x (black cap). Diagrams show the correct placement of caps on the solar panel's electrical terminals, with a warning symbol indicating that the caps must be removed before use.

**1.1**

**1.2**

**1.3**

**1.4**

**1.5**

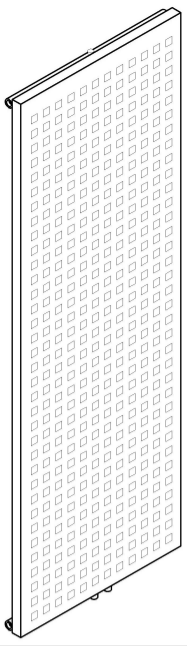
**1.6**

**1.7**

# SOLAR



DSOL18060288SM01-0110



H	L	A	B	C	D	E	F	G
1806	288	64.5	1796.5	20.5	79.5	20.5	54-64	99-109
I	J	K	M	N	O	P		
40-50	119	min.100	50	-	-	11		

23.0	kg
6.7	l
540	W



A	B	C
4x	4x	4x
		10x50 (100)
D	E	F
4x	4x	4x
		M6x50 (100)

**Water Protection:** Shows the panel being sealed with caps. 1x cap for top, 1x cap for bottom, 3x caps for bottom corners.

**Electrical Safety:** Shows the panel being grounded with 3x ground bolts. Includes a warning symbol for electrical safety.

**1.1**

**1.2**

**1.3**

**1.4**

**1.5**

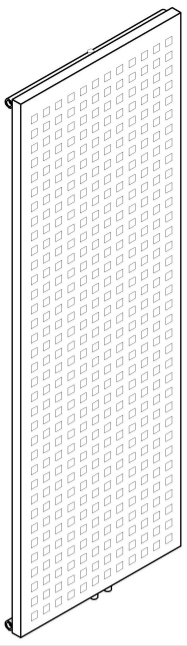
**1.6**

**1.7**

# SOLAR



DSOL18060477SM01-0110



H	L	A	B	C	D	E	F	G
1806	477	159	1796.5	20.5	79.5	20.5	54-64	99-109
I	J	K	M	N	O	P		
40-50	213.5	min.100	50	-	-	11		

35.8	kg
10.9	l
890	W



A	B	C
4x	4x	4x
		10x50 (100)
D	E	F
4x	4x	4x
		M6x50 (100)

**1.1**

**1.2**

**1.3**

**1.4**

**1.5**

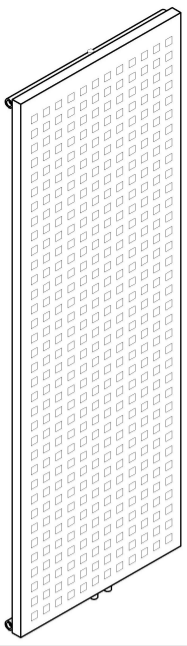
**1.6**

**1.7**

# SOLAR



DSOL18060603SM01-0110



H	L	A	B	C	D	E	F	G
1806	603	222	1796.5	20.5	79.5	20.5	54-64	99-109
I	J	K	M	N	O	P		
40-50	276.5	min.100	50	-	-	11		

44.2	kg
13.6	l
1128	W



A	4x	B	4x	C	4x
D	4x	E	4x	F	4x

C: 10x50 (100)  
 F: M6x50 (100)

**Water Warning:** 1x (white cap), 1x (black cap), 3x (black cap).  
**Electricity Warning:** 3x (black cap).

**1.1**

**1.2**

**1.3**

**1.4**

**1.5**

**1.6**

**1.7**

