

Integrated thermostatic t-piece valve set

Available versions:



The left or right-hand version determines the position of the thermostatic insert or manual valve with male thread.

Colour Options: ● ○ ● ●

Dedicated to the radiator:

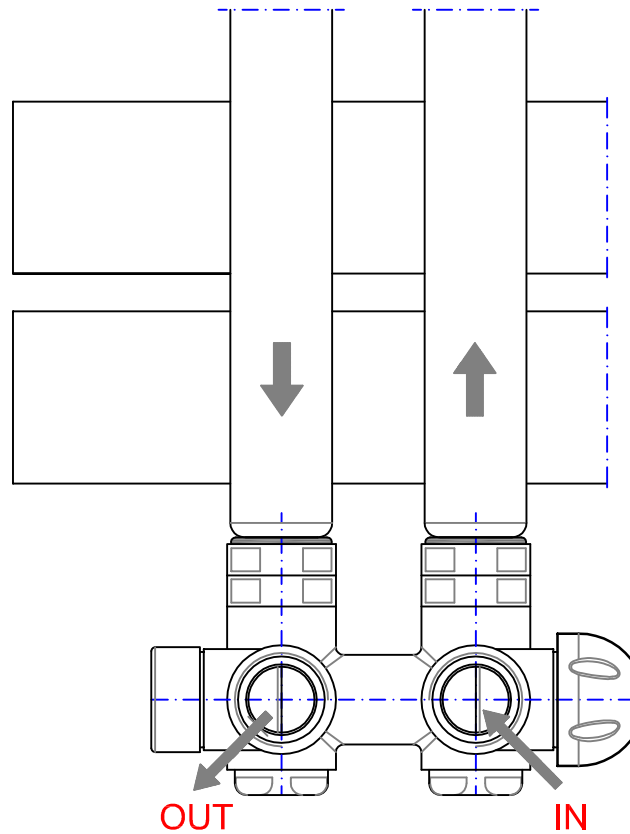
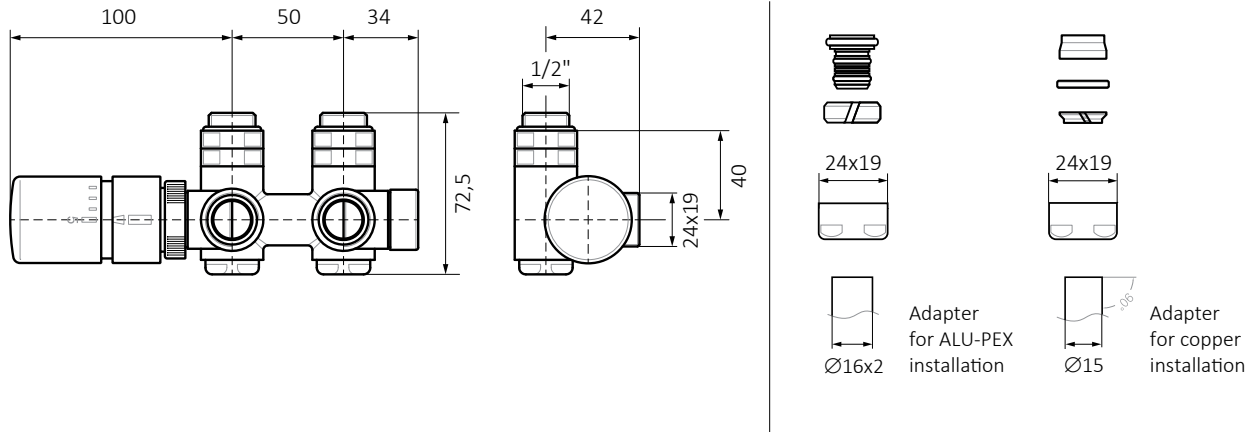
Michelle, Warp S, Iron D, Iron S

Note: Due to the protection of the thermal fuse of the heating element, we recommend installing the element on the return side



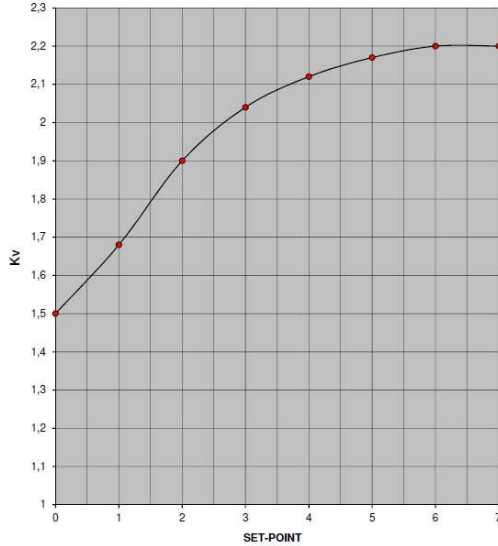
Position	Size	Colour	Product code
Left	GZ 1/2" - Ø16x2, Ø15	Chrome	WRZT5G14-CR
Right	GZ 1/2" - Ø16x2, Ø15	Chrome	WRZT5G15-CR
Left	GZ 1/2" - Ø16x2, Ø15	Satin	WRZT5G14-ST
Right	GZ 1/2" - Ø16x2, Ø15	Satin	WRZT5G15-ST
Left	GZ 1/2" - Ø16x2, Ø15	Black	WRZT5G14-CZ
Right	GZ 1/2" - Ø16x2, Ø15	Black	WRZT5G15-CZ
Left	GZ 1/2" - Ø16x2, Ø15	Black matt	WRZT5G14-CM
Right	GZ 1/2" - Ø16x2, Ø15	Black matt	WRZT5G15-CM

Integrated thermostatic t-piece valve set



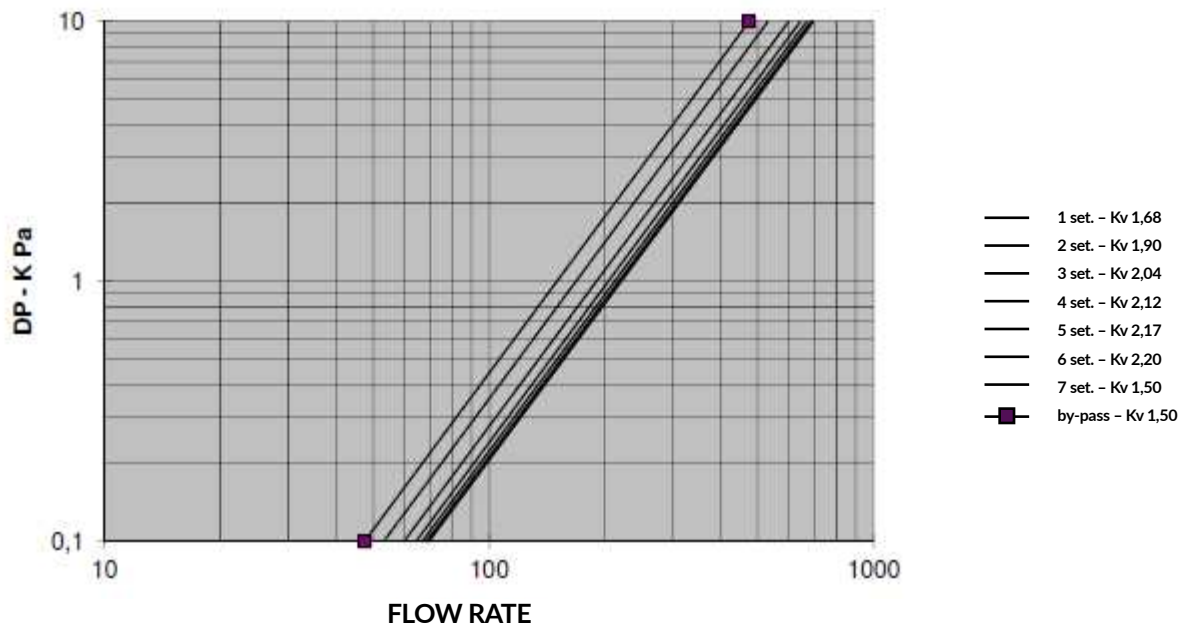
Integrated thermostatic t-piece valve set

Presetting monotube:



Set-point	0	1	2	3	4	5	6	7
2Kv	1,50	1,68	1,90	2,04	2,12	2,17	2,20	2,20

Presetting monotube:



N°GIRI	1	2	3	4	5	6	7	solo BY-pass	solo radiatore	radiatore + by-pass
I/h	53,1	60,1	64,5	67,0	68,6	69,6	69,6	47,4		
I/h	531,2	600,8	645,0	670,3	686,2	695,6	695,6	474,3		
Kv	0,26	0,63	0,92	1,12	1,27	1,36	1,40	1,50		
Dp	0,1	10								