

NEW VALVES IN TERMA OFFER

available in full colour palette

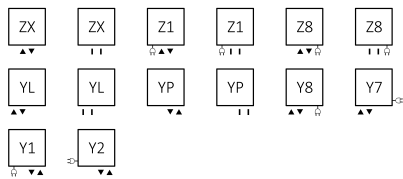
TWINS ALL IN ONE

Angled integrated thermostatic valve set

Available versions:



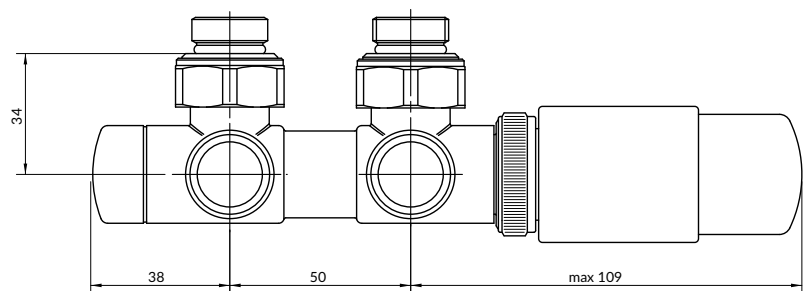
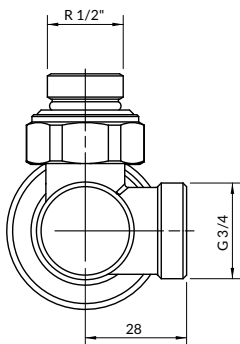
Connections:



The set contains:

Angled integrated thermostatic valve
 Thermostatic head M30 × 1.5
 Integrated pipe-masking set

2 x adapter PEX, ALU-PEX 16×2
 2 x adapter CU Ø 15



Readily available finishes: 916, S96, 9P5, 9M5, CRO.

Orientation	Colour	Product code	Conf. code p. 8. ▶
left	RAL and Terma special colours *	TGETTWINL	INSERT CODE
right	RAL and Terma special colours *	TGETTWINP	INSERT CODE

*excluding: SOFT 4010, SOFT 4006, SOFT 3028, SOFT Green Apple, SOFT 1023, Black Crocodile New, Black Pepper, Silver Gloss, Chrome Effect, Antique Copper, Gold Gloss

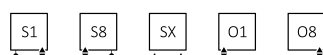
UNICO ALL IN ONE

Integrated angled thermostatic valve with immersion tube

Available versions:



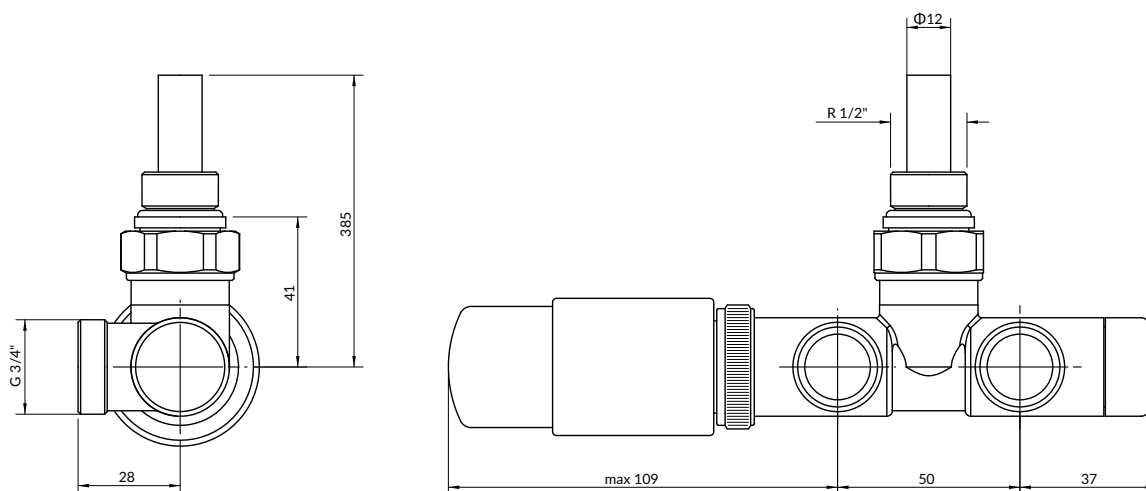
Connections:



The set contains:

Integrated angled thermostatic valve with immersion tube
Thermostatic head M30 × 1.5

Integrated pipe-masking set
2 x adapter PEX, ALU-PEX 16×2
2 x adapter CU Ø 15



Readily available finishes: 916, S96, 9P5, 9M5, CRO.

Orientation	Colour	Product code	Conf. code p. 8. ▶
left	RAL and Terma special colours *	TGETUNICL	INSERT CODE
right	RAL and Terma special colours *	TGETUNICP	INSERT CODE

*excluding: SOFT 4010, SOFT 4006, SOFT 3028, SOFT Green Apple, SOFT 1023, Black Crocodile New, Black Pepper, Silver Gloss, Chrome Effect, Antique Copper, Gold Gloss

INTEGRA ALL IN ONE

3-axis thermostatic valve and lockshield integrated with t-piece set

Available versions:



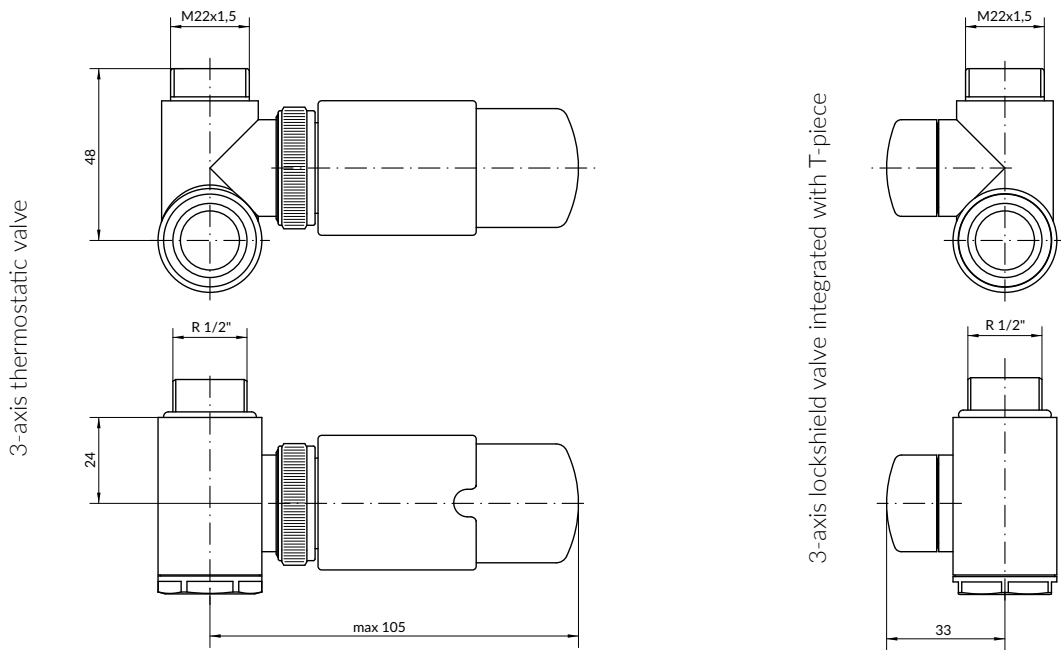
Connections:



The set contains:

3-axis thermostatic valve with T-piece for heating element assembly
 3-axis lockshield valve with T-piece for heating element assembly
 Thermostatic head M30 × 1.5

Pipe-masking set
 2 x adapter PEX, ALU-PEX 16×2
 2 x adapter CU Ø 15



Readily available finishes: 916, S96, 9P5, 9M5, CRO.

Orientation	Colour	Product code	Conf. code p. 8. ▶
left	RAL and Terma special colours *	TGETINTEL	INSERT CODE
right	RAL and Terma special colours *	TGETINTEP	INSERT CODE

*excluding: SOFT 4010, SOFT 4006, SOFT 3028, SOFT Green Apple, SOFT 1023, Black Crocodile New, Black Pepper, Silver Gloss, Chrome Effect, Antique Copper, Gold Gloss

VISION ALL IN ONE

3-axis thermostatic valve set

Available versions:



Connections:



The set contains:

3-axis thermostatic valve

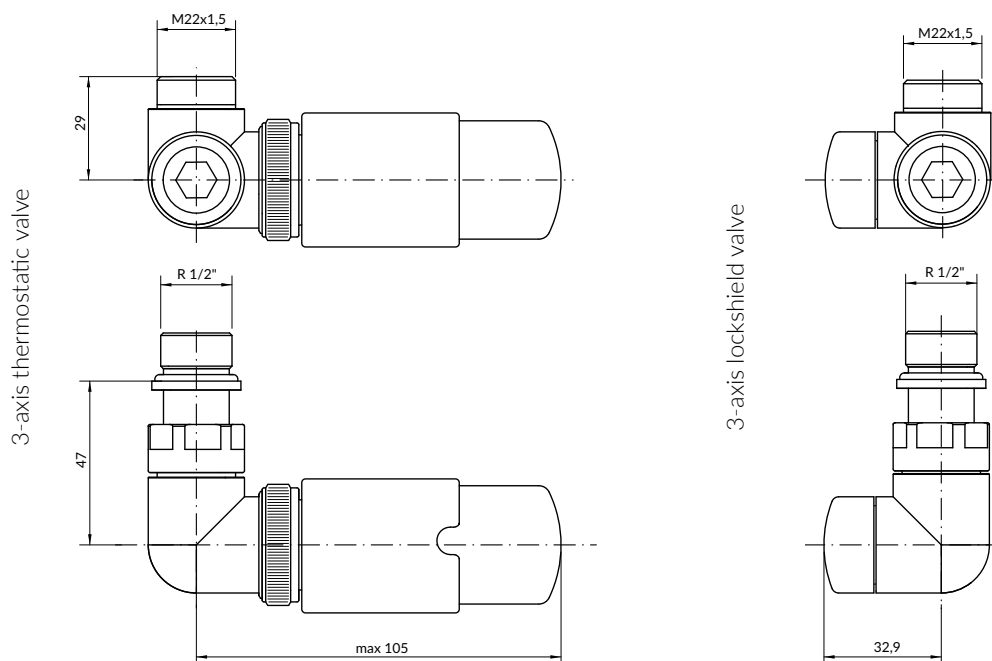
3-axis lockshield valve

Thermostatic head M30 × 1.5

Pipe-masking set

2 x adapter PEX, ALU-PEX 16×2

2 x adapter CU Ø 15



Readily available finishes: 916, S96, 9P5, 9M5, CRO.

Orientation	Colour	Product code	Conf. code p. 8. ▶
left	RAL and Terma special colours *	TGETVISIL	INSERT CODE
right	RAL and Terma special colours *	TGETVISIP	INSERT CODE

*excluding: SOFT 4010, SOFT 4006, SOFT 3028, SOFT Green Apple, SOFT 1023, Black Crocodile New, Black Pepper, Silver Gloss, Chrome Effect, Antique Copper, Gold Gloss

VISION ALL IN ONE

3-axis manual valve set

Available versions:



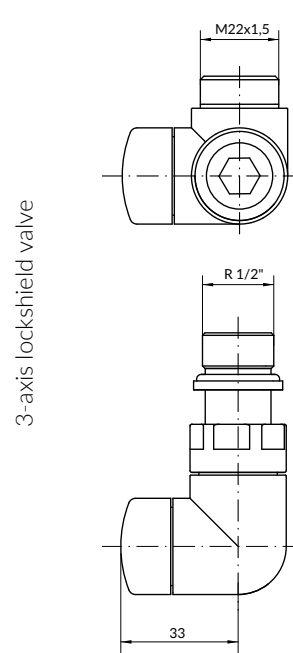
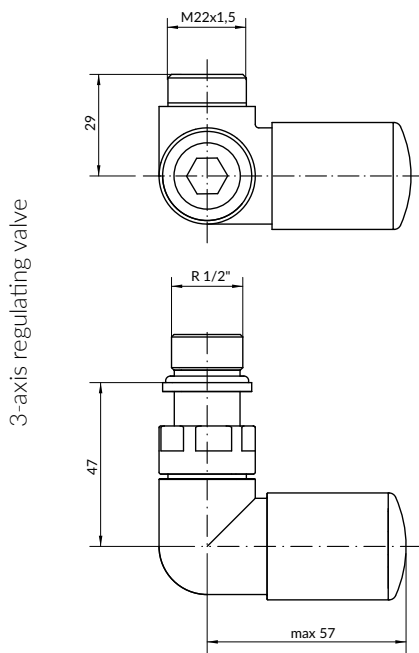
Connections:



The set contains:

- 3-axis regulating valve
- 3-axis lockshield valve
- Pipe-masking set

- 2 x adapter PEX, ALU-PEX 16x2
- 2 x adapter CU Ø 15



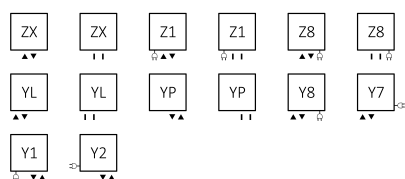
Readily available finishes: 916, S96, 9P5, 9M5, CRO.

Orientation	Colour	Product code	Conf. code p. 8. ▶
left	RAL and Terma special colours *	TGERVISIL	INSERT CODE
right	RAL and Terma special colours *	TGERVISIP	INSERT CODE

*excluding: SOFT 4010, SOFT 4006, SOFT 3028, SOFT Green Apple, SOFT 1023, Black Crocodile New, Black Pepper, Silver Gloss, Chrome Effect, Antique Copper, Gold Gloss

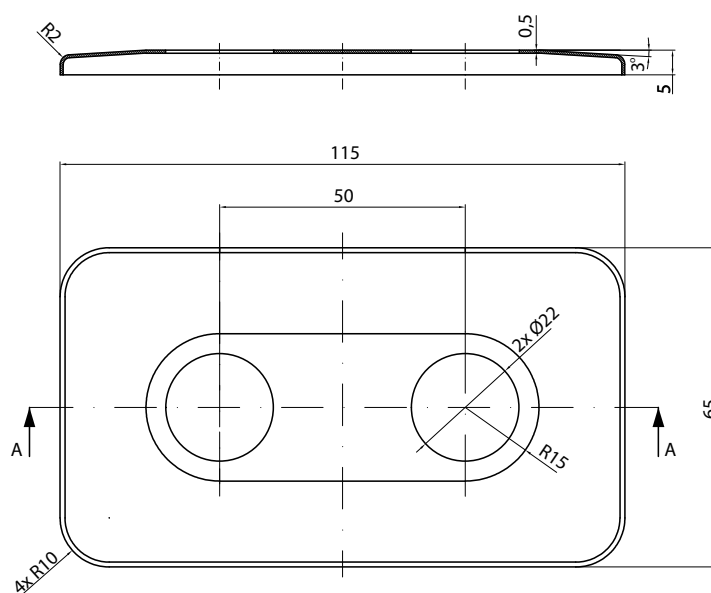
INTEGRATED PIPE-MASKING SET

Connections:



The set contains:

Double, rectangular masking cover for 50 mm connection, H-block valves
 2 x masking sleeve 50 mm



Readily available finishes: 916, S96, 9P5, 9M5, CRO.

Colour

Product code

Conf. code
 p. 8. ▶

RAL and Terma special colours *

TGPZMRP1 [INSERT CODE](#)

*excluding: SOFT 4010, SOFT 4006, SOFT 3028, SOFT Green Apple, SOFT 1023, Black Crocodile New, Black Pepper, Silver Gloss, Chrome Effect, Antique Copper, Gold Gloss

CONFIGURATION CODE

Product codes can be found in product data sheet tables. The codes provide some basic information about the product while a partially filled configuration code contains complementary information about the detailed specifications. When placing an order, Product codes should include the fully completed configuration part. The configuration code part should be placed after the main Product code. The main product code and configuration part will appear as shown in the example below:

Code structure

TGETTWINL

K916

PRODUCT CODE
(located in the table for
the product)

CONFIGURATION CODE
(supplemented by hand)

Configuration

K 916

Package code
K - karton

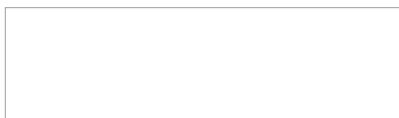
Colour code

*Colour code is for products available
in RAL palette and special colours.*

SET COLOUR OPTIONS

Readily available finishes:

White SOFT (KS96)



Black Mat (K9M5)



Chrome (KCRO)



White Gloss (K916)



Black Gloss (K9P5)



Available to order:



RAL and Terma special colours excluding: SOFT 4010, SOFT 4006, SOFT 3028, SOFT Green Apple, SOFT 1023, Black Crocodile New, Black Pepper, Silver Gloss, Chrome Effect, Antique Copper, Gold Gloss.

All information provided in this brochure was valid until printing. In accordance with the motto of Terma Sp. z o.o. that expresses the necessity of constant development, some technical features of products as well as their detail descriptions may vary in the future from their state at the time of this publication.



Czaple 100
80-298 Gdańsk
Poland

www.termaheat.com

