

KTX 4



photo: chrome, straight cable



Functions and features:

Functionality

The KTX4 has 5 temperature settings that range from 30°C to 60°C. An electronic sensor guarantees precise temperature control. The device displays the currently set temperature level and indicates the status of the heating cycle or standby state. The KTX 4 is designed for use with the Terma-Split heating element, giving the ability to disconnect the controller from the heating element (Terma Split). KTX 4 is also equipped with actual heating time counter for energy consumption calculations.

Timer

An Enhanced Timer automatically turns the heater off after 1, 2, 3 or 4 hours.

Remote Control

The heating element is capable of wireless IR communication with an external wall controller DTIR or TTIR, which enhances the use of the heating element with additional features.

Intelligent Building Systems

In case of power loss the KTX4 remembers its settings making it suitable for connection with external timers and intelligent building systems.

Safety

The KTX 4 is equipped with a 'frost' protection (ANTIFREEZE). It also has double protection against the element overheating as well as a safety feature that prevents damage in case of operation in a dry

radiator. A device error or malfunction is identified by a display of error codes.

Design

Equipped with an easy to read single digit LED display in blue. The device has a screw connection and a version with a power cable masking an additional on/off switch under the cable housing is available.

Colour

Available colours: white, silver, chrome and black. Heating element can also be offered in any RAL colour and Terma special colours (including brass and gold) subject to a minimum order of 100 pcs per colour.

Specifications:

Power supply:	230 V / 50 Hz
Heating element:	Terma Split I
Device protection class:	Class I
Radiator connection:	G 1/2"
Ingress protection [IP]:	IPx4: version with MS (screw terminals); IPx5: version with cable

Table configurations:

Example of product code: **WE**^{Packaging code} **KT4**^{Model code} **K**^{Colour or finish code} **SMA**^{Cable type and plug code} **W**^{Colour elements highlighted in colour.}

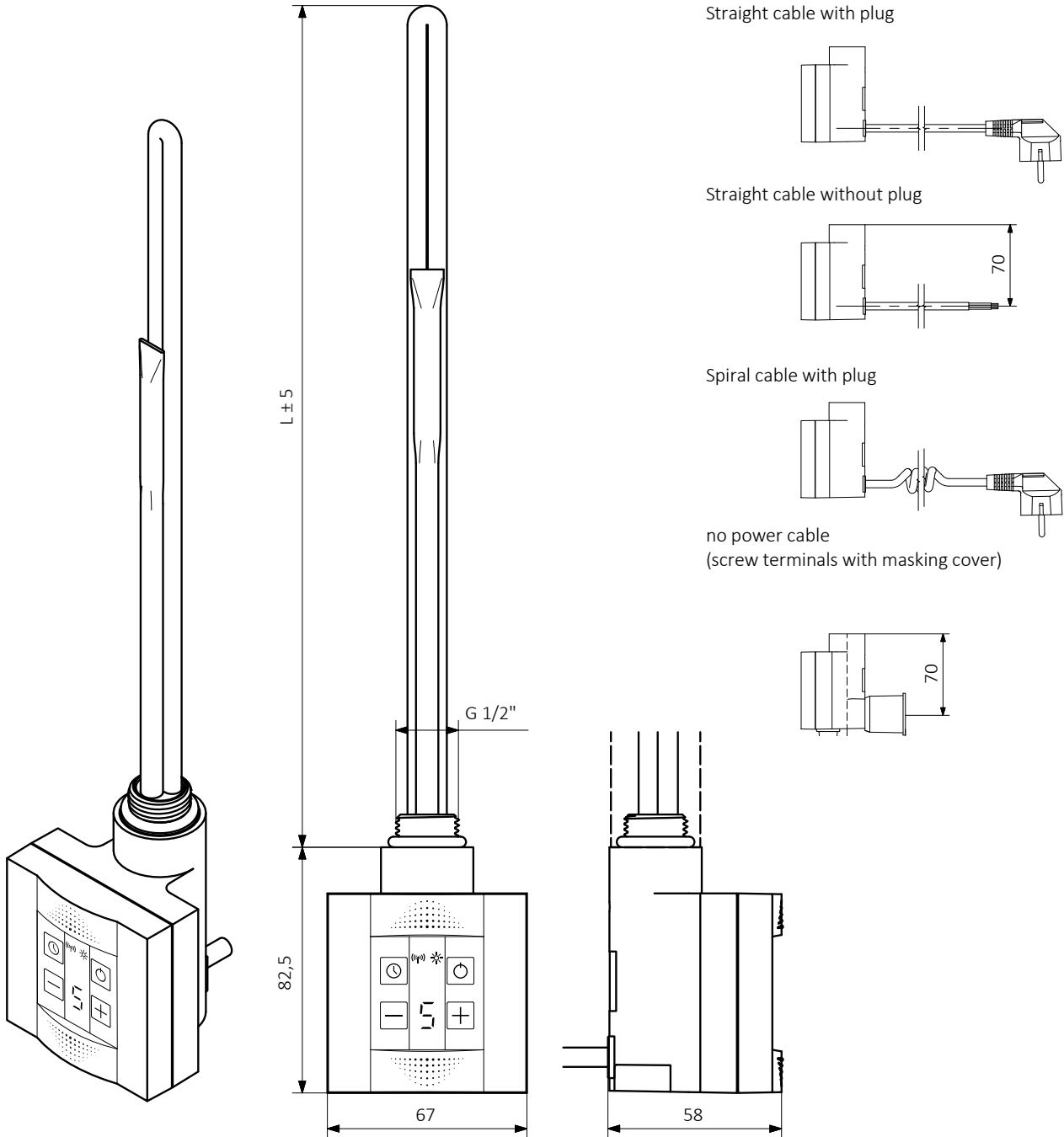
KTX 4

Model	Power [W]	Packaging	Colour	Cable Type
WE KT4 KTX 4	– controller only	K box	916 white SMA silver CRO chrome 905 black	W straight cable with plug P straight cable without plug U spiral cable with plug S no power cable (screw terminals with masking cover)

TS1 — heating element

Model	Power [W]	Packaging	Colour	Split connector
WE TS1 Terma Split	01 120 02 200 03 300 04 400 06 600 08 800 10 1000	K box	--- n/a	D split connector class I

KTX 4



L [mm]	325	285	310	345	375	485	575
Power [W]	120	200	300	400	600	800	1000