

HOME

SERIES



Classic

CLASSIC

50Δt
(75/65/20°C)

K1



P+



K2



Height mm	Length mm	Stelrad UIN	Heat output Watts	Heat output Btu/hr	Stelrad UIN	Heat output Watts	Heat output Btu/hr	Stelrad UIN	Heat output Watts	Heat output Btu/hr
300	500	931105h	254	866	932105h	373	1273	932205h	490	1674
	1000	931110h	508	1734	932110h	745	2543	932210h	981	3349
	1500	931115h	762	2601	932115h	1118	3816	932215h	1472	5023
	2000	-	-	-	-	-	-	932220h	1962	6698
450	400	941104h	302	1032	-	-	-	942204h	548	1871
	500	941105h	378	1290	942105h	528	1801	942205h	685	2339
	600	941106h	454	1548	942106h	633	2161	942206h	822	2807
	700	941107h	529	1806	942107h	739	2522	942207h	959	3274
	800	941108h	605	2064	942108h	844	2882	942208h	1096	3742
	900	941109h	680	2322	942109h	950	3242	942209h	1234	4210
	1000	941110h	756	2579	942110h	1055	3602	942210h	1371	4678
	1100	941111h	831	2837	942111h	1161	3962	942211h	1508	5146
	1200	941112h	907	3095	942112h	1267	4323	942212h	1645	5613
	1400	941114h	1058	3611	942114h	1478	5044	942214h	1919	6549
	1600	941116h	1209	4127	942116h	1689	5764	942216h	2193	7485
	1800	941118h	1360	4643	942118h	1900	6485	942218h	2467	8420
	2000	941120h	1512	5159	942120h	2111	7205	942220h	2742	9358
	2200	941122h	1603	5470	-	-	-	942222h	3016	10294
2400	941124h	1814	6190	-	-	-	942224h	3290	11230	
600	400	961104h	392	1338	962104h	539	1838	962204h	693	2364
	500	961105h	490	1672	962105h	673	2298	962205h	866	2955
	600	961106h	588	2006	962106h	808	2758	962206h	1039	3546
	700	961107h	686	2341	962107h	943	3217	962207h	1212	4137
	800	961108h	784	2675	962108h	1077	3677	962208h	1385	4728
	900	961109h	882	3009	962109h	1212	4137	962209h	1558	5319
	1000	961110h	980	3344	962110h	1347	4597	962210h	1732	5910
	1100	961111h	1078	3678	962111h	1481	5056	962211h	1905	6501
	1200	961112h	1176	4013	962112h	1616	5516	962212h	2078	7092
	1400	961114h	1372	4681	962114h	1885	6435	962214h	2424	8273
	1600	961116h	1568	5350	962116h	2155	7354	962216h	2770	9455
	1800	961118h	1764	6019	962118h	2424	8273	962218h	3117	10637
	2000	961120h	2234	7623	962120h	2694	9193	962220h	3466	11831
	2200	961122h	2156	7357	-	-	-	962222h	3813	13014
2400	961124h	2352	8025	-	-	-	962224h	4160	14197	
700	400	971104h	447	1524	972104h	613	2092	972204h	784	2676
	500	971105h	558	1906	972105h	766	2614	972205h	980	3345
	600	971106h	670	2287	972106h	919	3137	972206h	1176	4015
	700	971107h	782	2668	972107h	1072	3660	972207h	1372	4684
	800	971108h	893	3049	972108h	1226	4183	972208h	1568	5353
	900	971109h	1005	3430	972109h	1379	4706	972209h	1764	6022
	1000	971110h	1117	3811	972110h	1532	5228	972210h	1960	6691
	1100	971111h	1228	4192	972111h	1685	5752	972211h	2156	7360
	1200	971112h	1340	4573	972112h	1839	6275	972212h	2352	8029
	1400	971114h	1563	5336	972114h	2145	7320	972214h	2745	9367
	1600	971116h	1787	6098	-	-	-	972216h	3137	10705
	1800	971118h	2010	6860	-	-	-	972218h	3529	12044
	2000	971120h	2234	7623	-	-	-	972220h	3927	13404

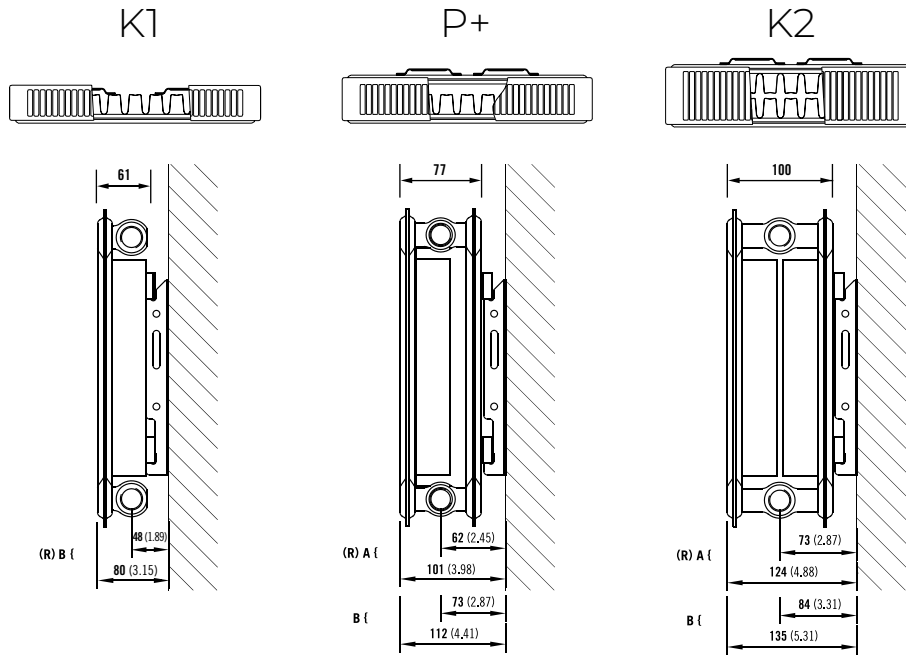
At50 is the UK's industry standard for heating outputs, which has an operating temperature of 75/65/20°C. If you have a low temperature heat source you may wish to consider Δt40 or Δt30 output (see your installer or system designer or download from www.stelrad.com).

For EN442 data, technical and installation information please visit our website: www.stelrad.com and search product downloads.

CLASSIC

WALL MOUNTING AND LUG INFORMATION

All dimensions in mm. Inches in brackets.



Compact bracket position. A = Closest to wall / B = Furthest from wall / (R) = Recommended mounting position

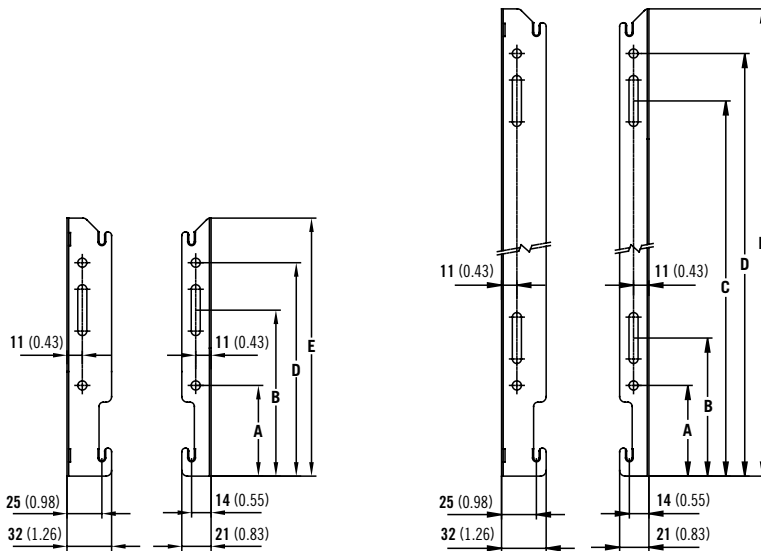
K1 long only - position B. P+ and K2 can be position A or B.

CLASSIC

MOUNTING BRACKETS

All dimensions in mm. Inches in brackets.

Floor mounting brackets available.



**K1, P+ and K2
(300mm)**

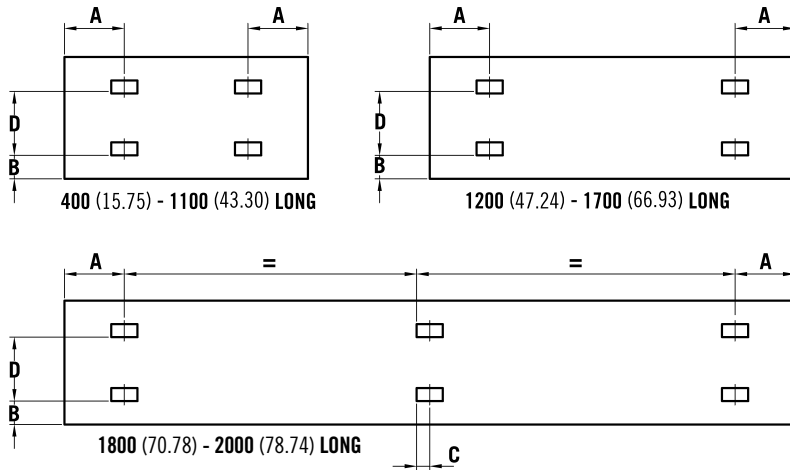
**K1, P+ and K2
(OVER 300mm)**

K1, P+ AND K2 (300mm)

Dimensions	mm	inches	mm	inches	mm	inches	mm	inches
Height	300	11.81	450	17.72	600	23.62	700	27.56
A	65	2.56	65	2.56	65	2.56	65	2.56
B	119	4.69	99	3.90	99	3.90	99	3.90
C	-	-	269	10.59	419	16.50	519	20.43
D	153	6.02	303	11.93	453	17.83	553	21.77
E	185	7.28	335	13.19	485	19.09	585	23.03

CLASSIC

K1, P+ AND K2 LUG POSITION



PANEL HEIGHT		D	
mm	in	mm	in
300	11.81	155	6.10
450	17.72	305	12.01
600	23.62	455	17.91
700	27.56	555	21.95

Dimensions	K1		P+ & K2	
	mm	in	mm	in
A 400mm	117	4.61	133	5.24
A 500 - 2000mm	150	5.91	133	5.24
B 400 - 2000mm	60	2.36	60	2.36
C 1800 - 2000mm	17	0.67	L/2	L/2

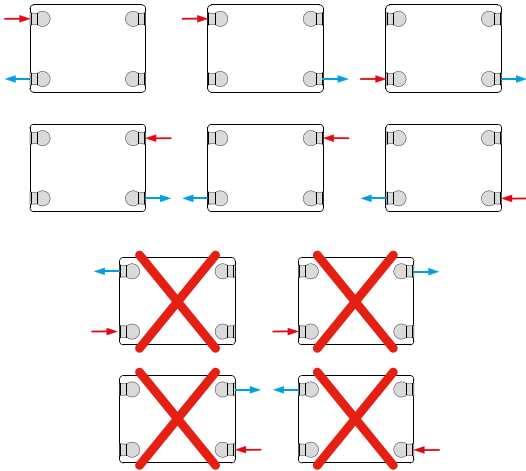
L/2 is the length divided by two.

CONNECTIONS

Each radiator comes with ½" inlet connections as standard.

CLASSIC

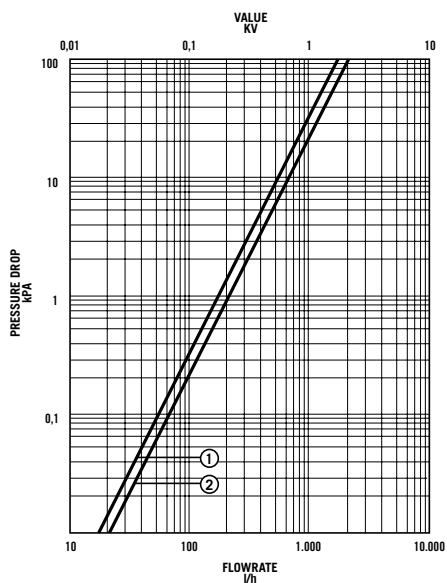
COMPACT PIPING OPTIONS



EN 442 CERTIFICATION DATA - CETIAT TESTED IN ACCORDANCE WITH BS EN 442

Type	K1				P+		K2			
	300	450	600	700	450	600	300	450	600	700
Height	300	450	600	700	450	600	300	450	600	700
W/m at 75/65/20	494	716	923	1052	1055	1345	982	1371	1732	1961
n-coefficients	1.27	1.28	1.29	1.31	1.33	1.34	1.33	1.33	1.33	1.34
Heated surface area (m ² /m)	1.75	2.82	3.87	4.58	3.84	5.24	3.51	5.62	7.74	9.15
Weight (kg/m)	8.16	12.80	17.45	20.05	22.04	29.8	16.8	25.9	35	40.53
Water contents (l/m)	1.88	2.59	3.30	3.80	5.15	6.60	3.70	5.15	6.60	7.63
Wall to tap centre (mm)	48	48	48	48	62	62	73	73	73	73

PRESSURE DROP



- ① Type 11 (K1)
- ② Type 21 (P+), 22 (K2)